

Barudan

900XLC Parts Book
(version 1)

This parts book covers the first series of Meistergram
900XLC machines built from 1991-1995,
with serial numbers below 95112F.

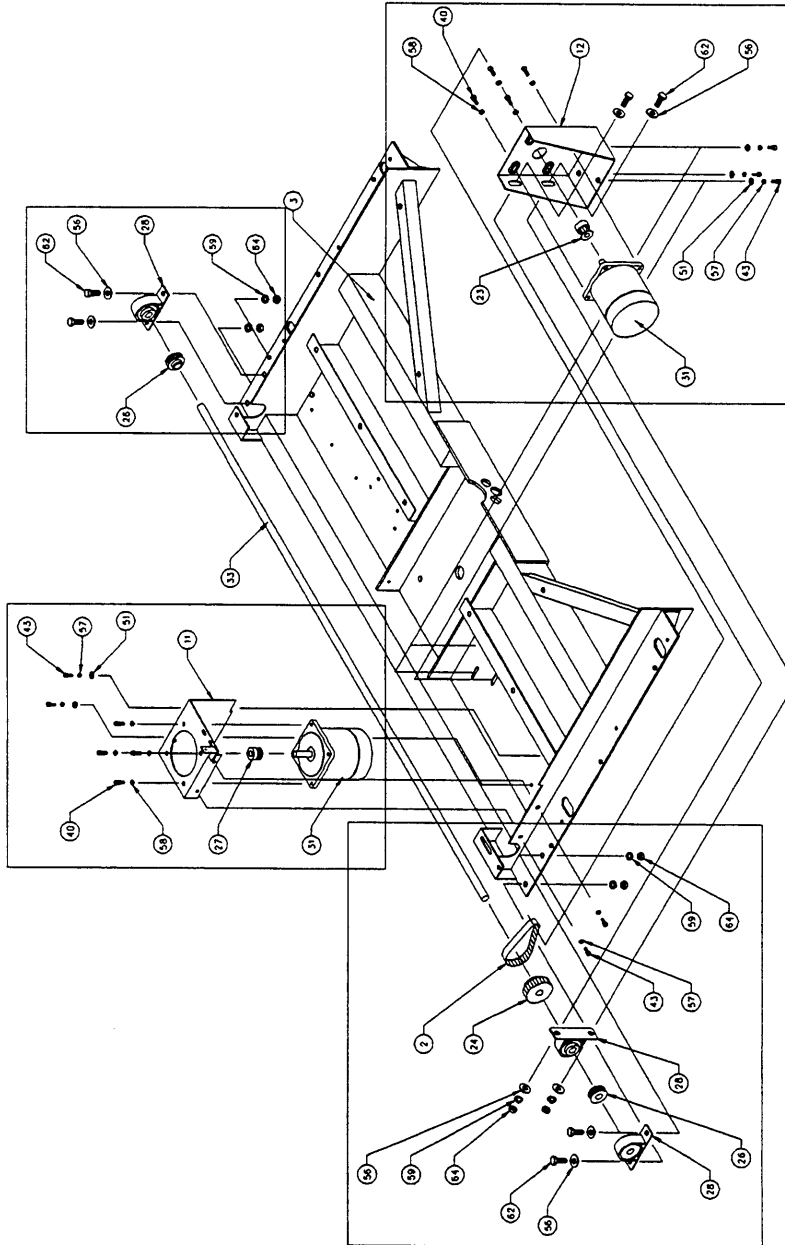
Copyright 1991, 2002 Barudan America Inc.

APPENDIX A

PARTS IDENTIFICATION

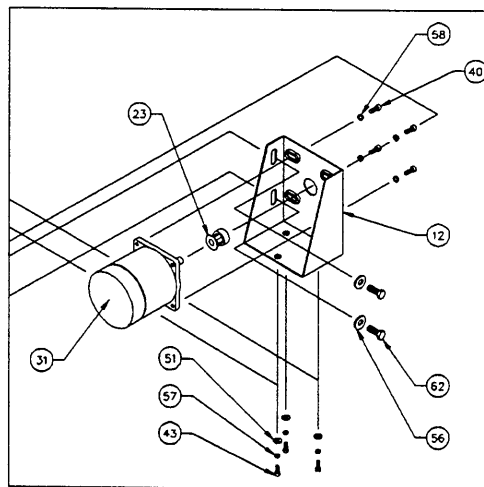
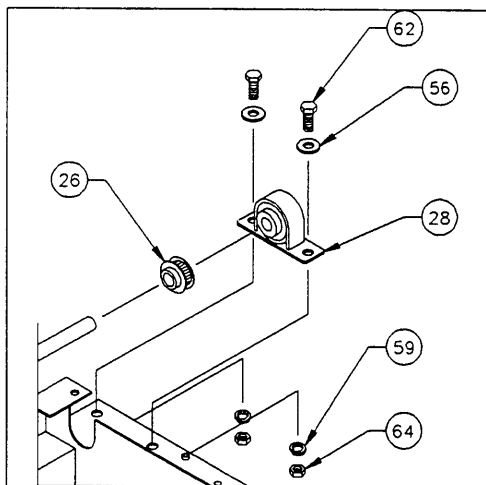
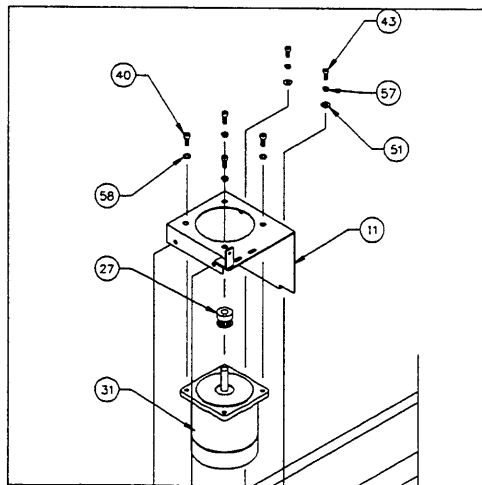
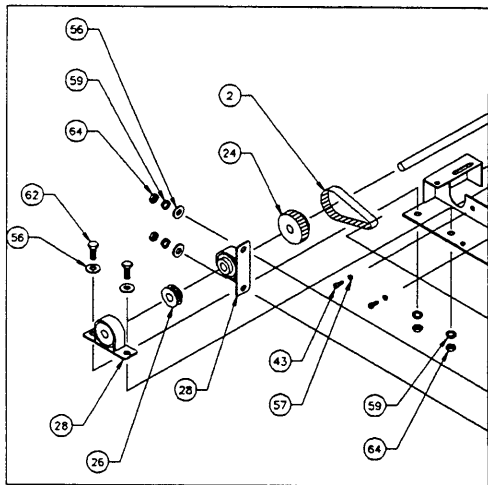
BASE ASSEMBLY	2
BASE ASSEMBLY - Y DRIVE UNIT	6
HEAD INSTALLATION	10
TABLE TOP ASSEMBLY	12
X DRIVE BELT	16
MAIN BASE	18
LIMIT SWITCH ASSEMBLY	20
CENTER & LEFT COVER	
THREAD STAND ASSEMBLY	22
THREAD STAND ASSEMBLY	24
HEAD ASSEMBLY	26
MAIN MOTOR ASSEMBLY	30
PANTOGRAPH ARM ASSEMBLY	32
MEISTERGRAM HOOP ADAPTER ASSEMBLY	36
CRT ARM ASSEMBLY	38
TENSION ASSEMBLY	40
BOBBIN WINDER TENSION ASSEMBLY	42
BOBBIN WINDER ASSEMBLY	44
SEWING HEAD PARTS - VIEW 1	46
SEWING HEAD PARTS - VIEW 2A	48
SEWING HEAD PARTS - VIEW 2B	50
SEWING HEAD PARTS - VIEW 3A	52
SEWING HEAD PARTS - VIEW 3B	54
SEWING HEAD PARTS - VIEW 4A	58
SEWING HEAD PARTS - VIEW 4B	62
SEWING HEAD - FRONT VIEW	64

BASE ASSEMBLY



BASE ASSEMBLY			
ITEM	PART NO.	DESCRIPTION	QTY.
2	P520431	Large Timing Belt 100 X L037	1
3	P700001	MZ-1 Weldment & Fabricated Base	1
11	P700103	X-Stepper Motor Bracket	1
12	p700104	Y-Stepper Motor Bracket	1
23	P700411	10XL037 Pulley	1
24	P700412	30XL037 Pulley	1
26	P700416	Pulley (15XL037)	2
27	P700419	Pulley (25MXL025)	1
28	P700460	Pillow Block Bearing	3
31	P700560	Pantograph Stepper Motor	2
33	P700621	Drive Y-Pantograph Shaft	1
40	P840052	1/4-20 X 1/2 Hex Socket Cap Screw	8
43	P840073	#10-32 X 3/8 Hex Socket Cap Screw	22
51	P840530	#10 Flat Washer	8
56	P840561	5/16 Flat Washer	12
57	P840572	#10 Lock Washer	15
58	P840580	1/4 Lock Washer Split	11
59	P840582	5/16 Lock Washer Split	14
62	P840601	5/16-18 X 3/4 Bolt	6
64	P840707	5/16-18 Hex Nut	14

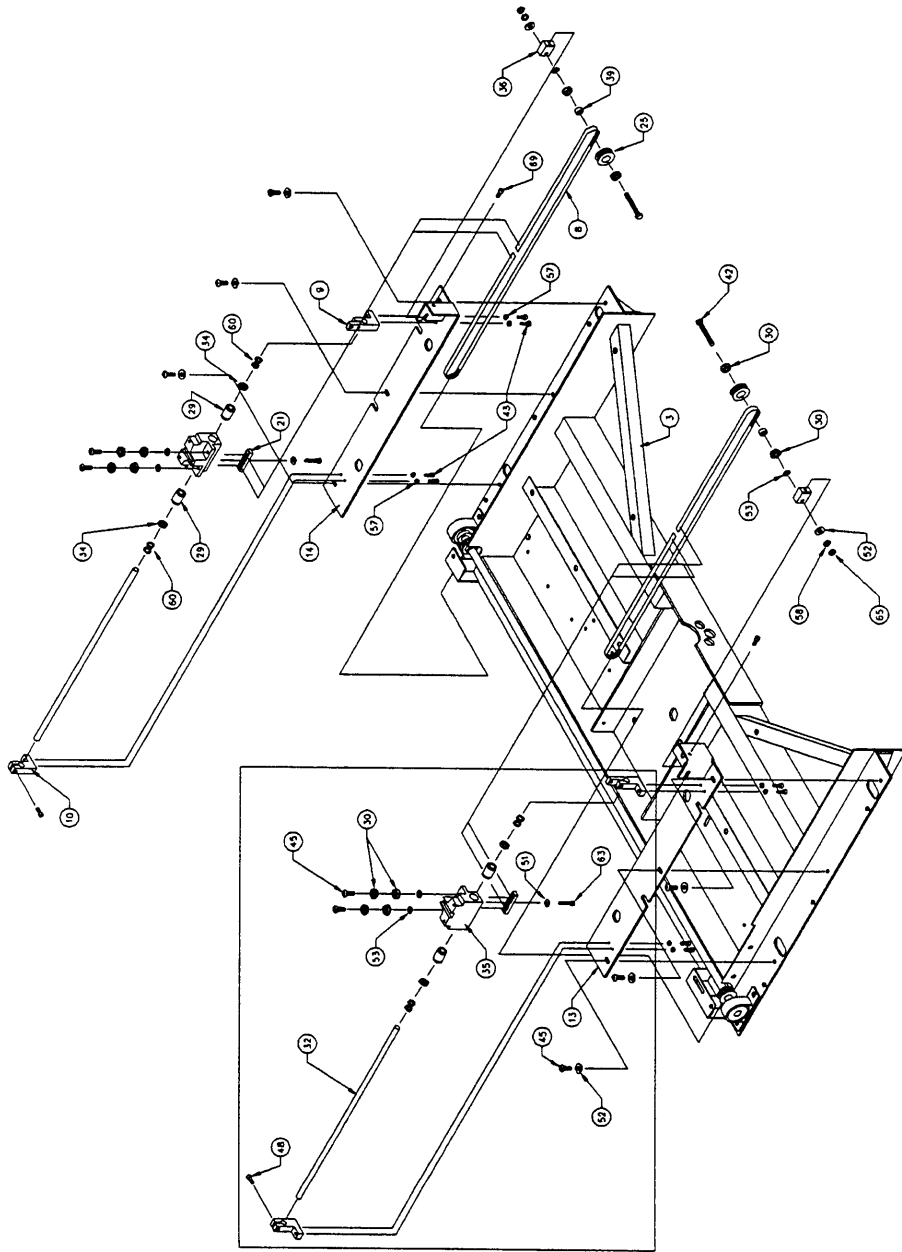
PARTS
IDENTIFICATION



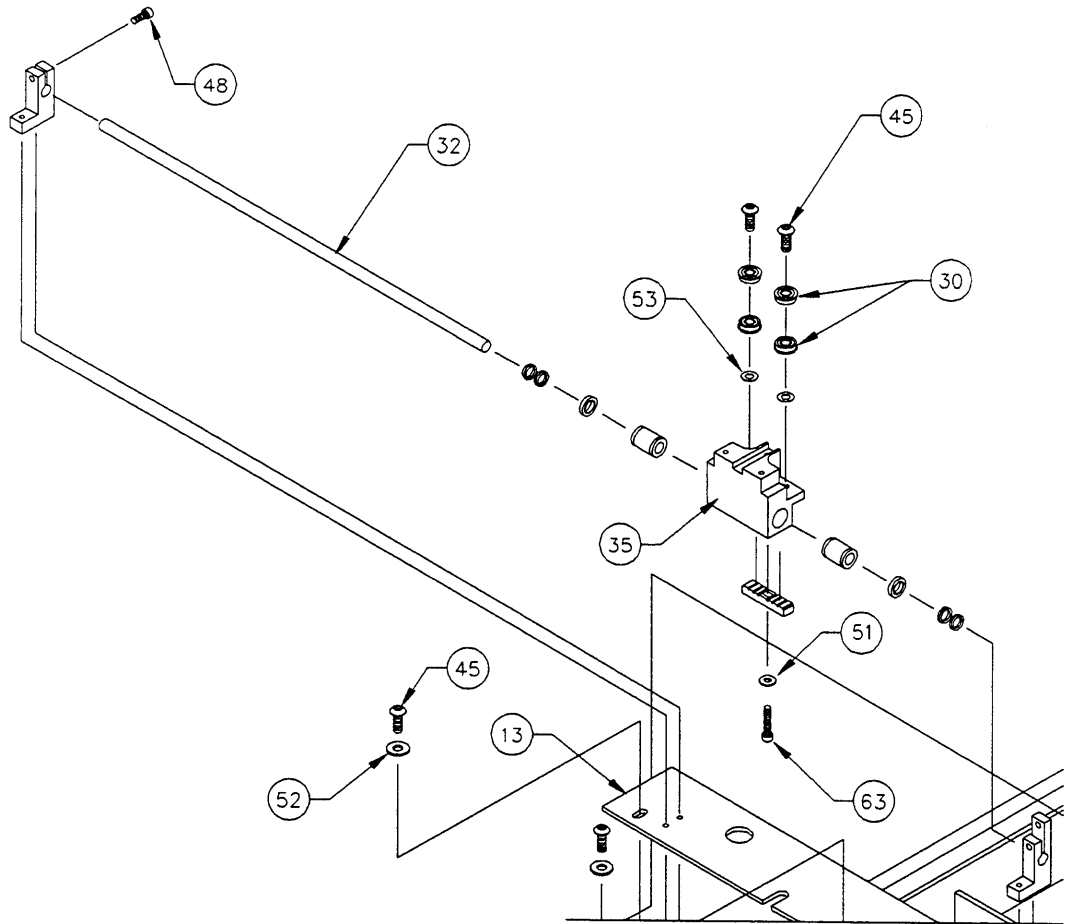
BASE ASSEMBLY			
ITEM	PART NO.	DESCRIPTION	QTY.
2	P520431	Large Timing Belt 100 X L037	1
11	P700103	X-Stepper Motor Bracket	1
23	P700411	10XL037 Pulley	1
24	P700412	30XL037 Pulley	1
26	P700416	Pulley (15XL037)	2
27	P700419	Pulley (25MXL025)	1
28	P700460	Pillow Block Bearing	3
31	P700560	Pantograph Stepper Motor	2
40	P840052	1/4-20 X 1/2 Hex Socket Cap Screw	8
43	P840073	#10-32 X 3/8 Hex Socket Cap Screw	22
51	P840530	#10 Flat Washer	8
56	P840561	5/16 Flat Washer	12
57	P840572	#10 Lock Washer	15
58	P840580	1/4 Split Lock Washer	11
59	P840582	5/16 Split Lock Washer	14
62	P840601	5/16-18 X 3/4 Bolt	6
64	P840707	5/16-18 Hex Nut	14

PARTS
IDENTIFICATION

BASE ASSEMBLY - Y DRIVE UNIT



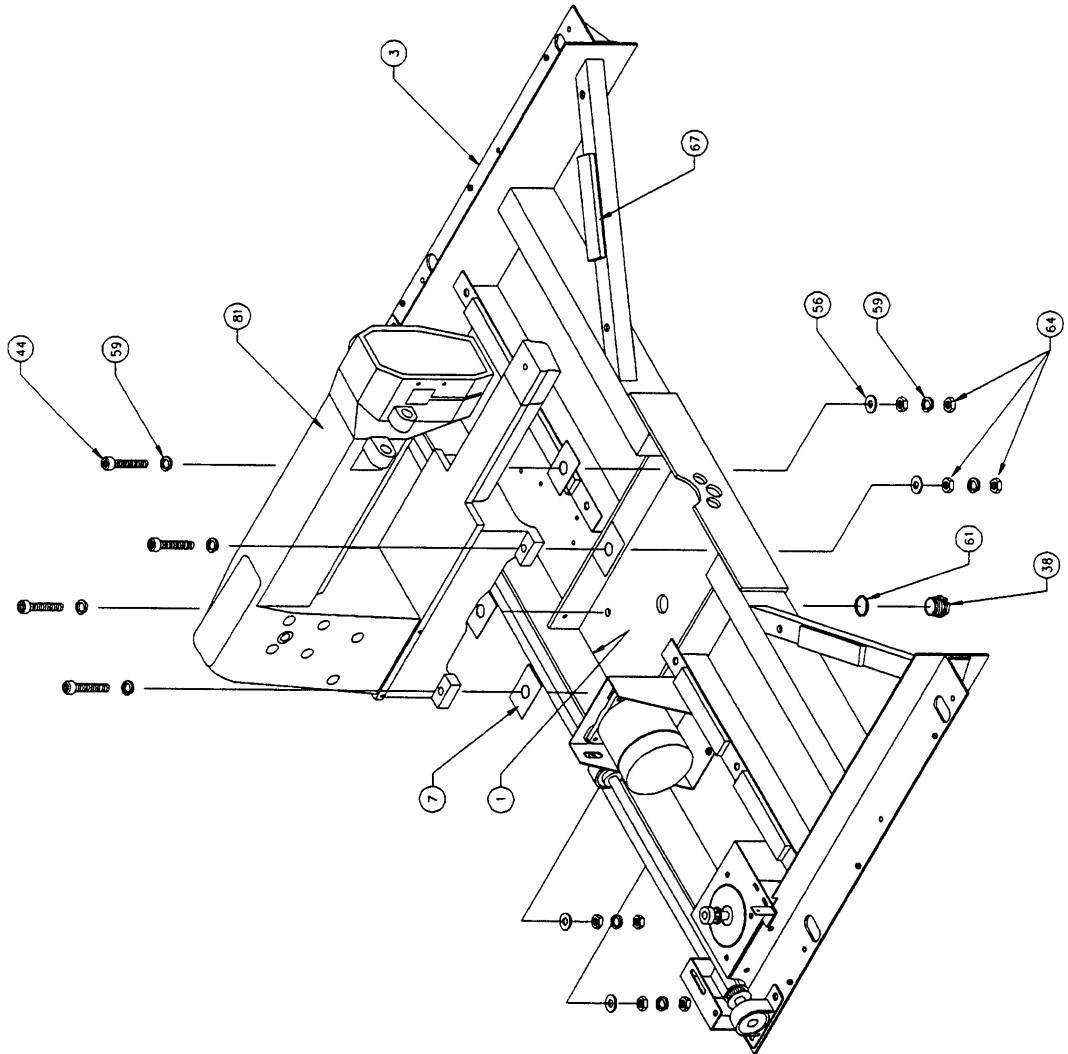
BASE ASSEMBLY - Y DRIVE UNIT			
ITEM	PART NO.	DESCRIPTION	QTY.
3	P700001	MZ-1 Weldment & Fabricated Base	1
8	P700041	Timing Belt (450XL037)	2
9	P700100	Front Shaft Support Bracket	2
10	P700101	Rear Shaft Support Bracket	2
13	P700105	Left Side Mount Angle Bracket	1
14	P700106	Right Side Mount Angle Bracket	1
21	P700240	Timing Belt Y-pant Clamp	2
25	P700413	Idler Pulley (15XL037)	2
29	P700461	Linear 3/8 Bearing	4
30	P700462	Flanged Bearing	18
32	P700620	Precision Shaft	2
34	P700622	Linear Bearing Seal	4
35	P700627	Y-pantograph Carrier	2
36	P700635	Pulley Adjustment Block	2
39	P820704	1/4 ID X 1/4 Spacer	2
42	P840068	1/4-20 X 1-3/4 Full Thread Hex Bolt	2
43	P840073	#10-32 X 3/8 Hex Socket Cap Screw	22
45	P840136	1/4-20 X 5/8 Hex Socket Button Head	12
48	P840435	#10-32 X 1 Socket Head Cap Screw	2
51	P840530	#10 Flat Washer	8
52	P840540	1/4 Flat Washer	9
53	P840556	1/4 Shim Washer	9
57	P840572	#10 Lock Washer	15
58	P840580	1/4 Split Lock Washer	11
60	P840586	3/8 O-Ring	8
63	P840621	#10-32 X 3/4 Socket Head Cap Screw	2
65	P840710	1/4-20 Hex Nut	3
69	P840737	#10-32 X 5/8 Socket Head Cap Screw	4



BASE ASSEMBLY - Y DRIVE UNIT			
ITEM	PART NO.	DESCRIPTION	QTY.
30	P700462	Flanged Bearing	18
32	P700620	Precision Shaft	2
35	P700627	Y-Pantograph Carrier	2
45	P840136	1/4-20 X 5/8 Hex Socket Button Head	12
48	P840435	#10-32 X 1 Socket Head Cap Screw	2
51	P840530	#10 Flat Washer	8
53	P840556	1/4 Shim Washer	9

PARTS
IDENTIFICATION

HEAD INSTALLATION



HEAD INSTALLATION			
ITEM	PART NO.	DESCRIPTION	QTY.
1	9P870002	Oil Sealant R.T.V.	1
3	P700001	MZ-1 Weldment and Fabricated Base	1
7	P700016	Vibration Mountpad	4
38	P820703	Plug	1
44	P840077	5/16-18x1-1/2 Socket Head Cap Screw	4
59	P840582	5/16 Split Lock Washer	8
61	P840587	7/8 O-Ring	1
64	P840707	5/16-18 Hex Nut	4
67	9P520002	1" X 5/16" Adhesive Neoprene	4 ft.
81		Sewing Head Assembly	1

PARTS
IDENTIFICATION

TABLE TOP ASSEMBLY

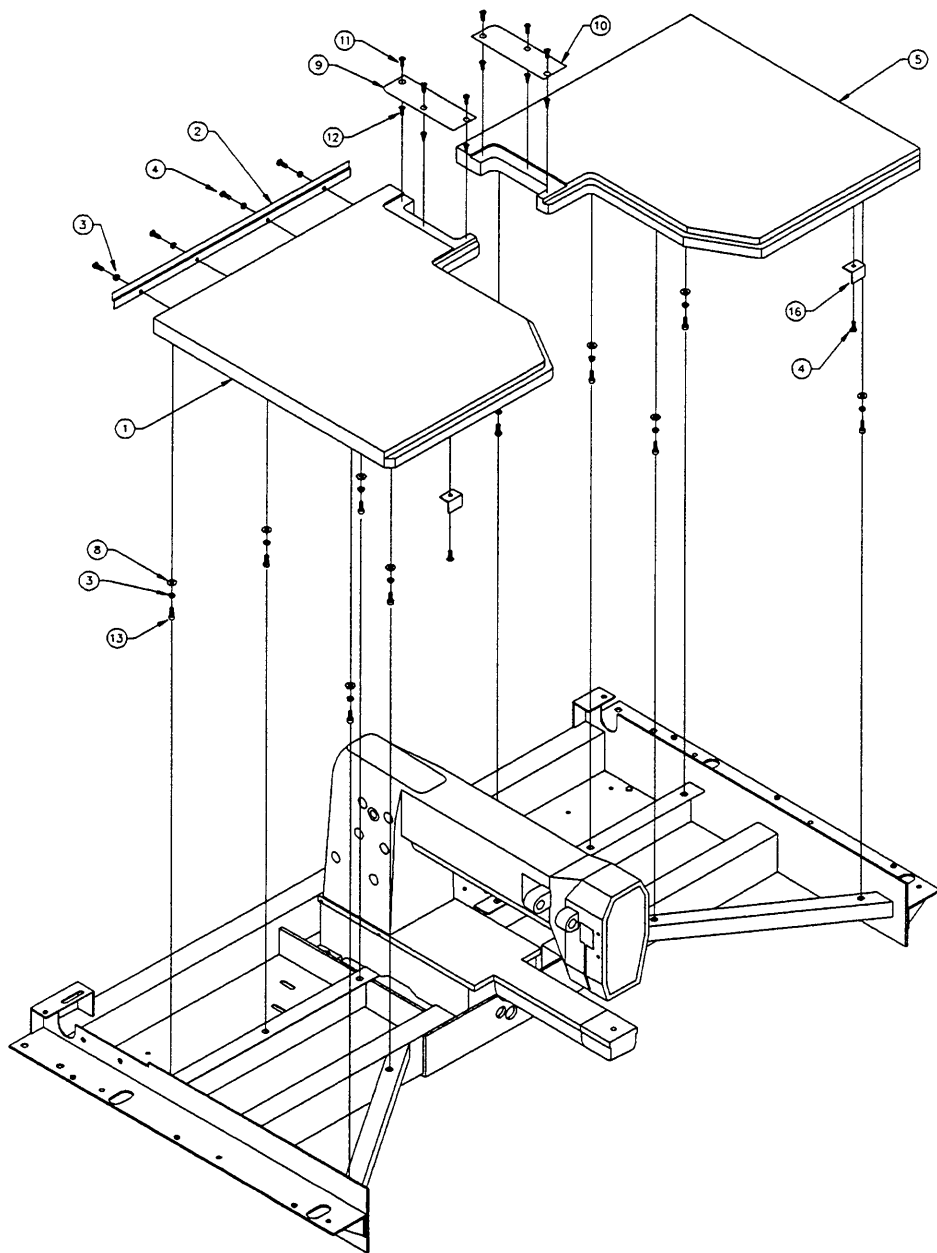


TABLE TOP ASSEMBLY			
ITEM	PART NO.	DESCRIPTION	QTY.
1	P700160	Left Table Top	1
2	P700113	Left & Center Retainer Bracket	1
3	P840572	#10 Split Lock Washer	13
4	P840313	#10x3/4 Philips Round Head Wood Screw	11
5	P700160A	Right Table Top	1
8	P840530	#10 Flat Washer	16
9	P700204	Left Head Mount Access Plate	1
10	P700205	Right Head Mount Access Plate	1
11	P840XXX	#8-32x3/8 Philips Flat Head Undercut	6
12	P840XXX	#8-32 Thread Ins. Stafast #3083210	6
13	P840XXX	#10-32x1 1/4 Hex Socket Cap Screw	10
16	TA-1440	Table Magnet Strike Plate	2

PARTS
IDENTIFICATION

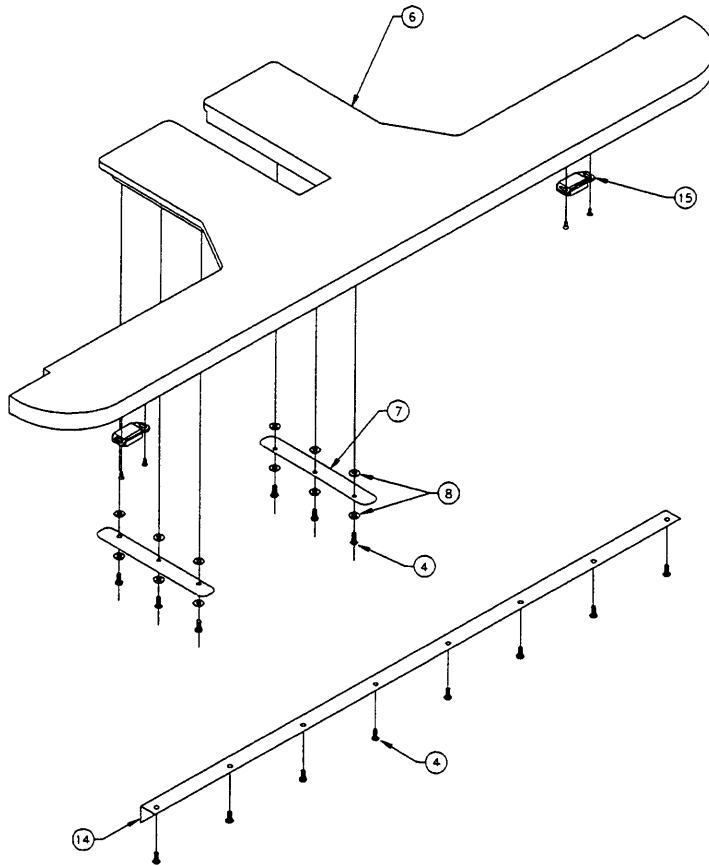
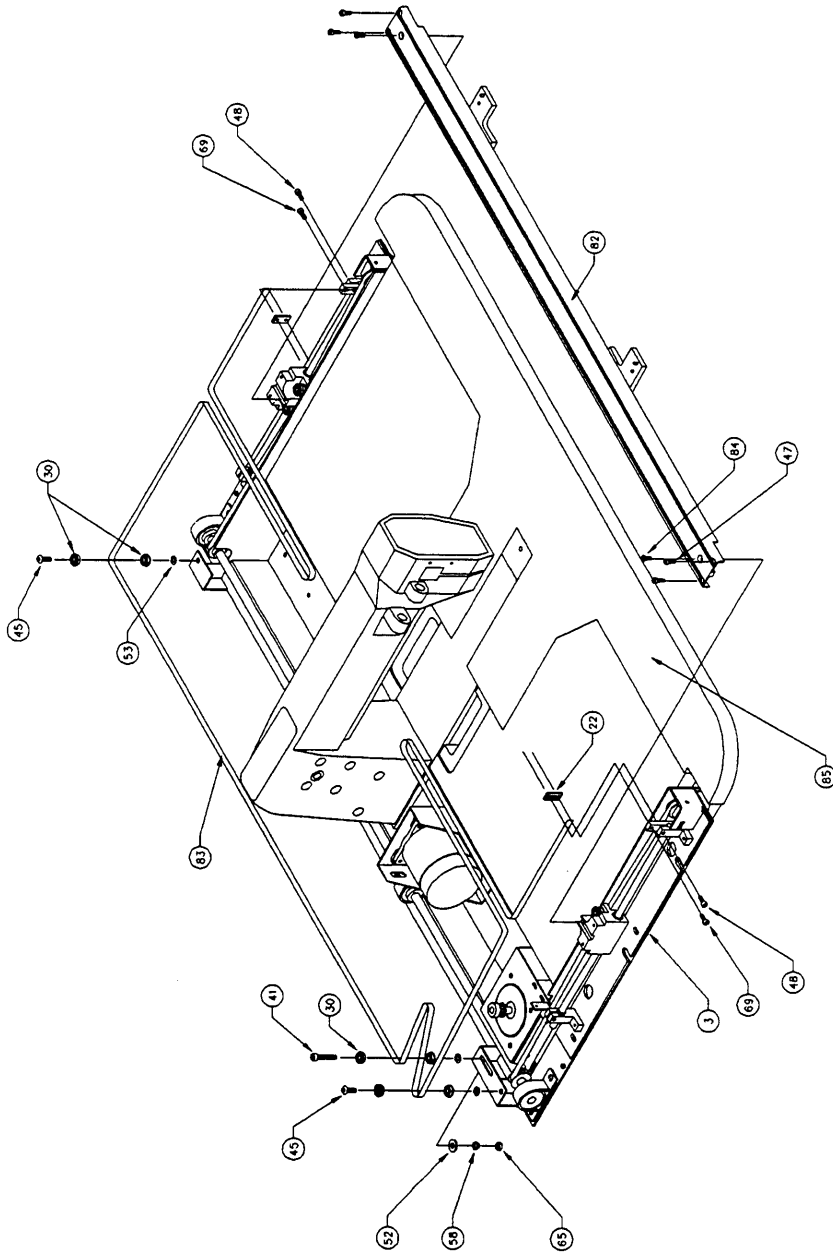


TABLE TOP ASSEMBLY			
ITEM	PART NO.	DESCRIPTION	QTY.
4	P840313	#10x3/4 Philips Round Head Wood Screw	11
6	P700160B	Table Top Leaf	1
7	P700203	Table Top Retainer Plate	2
8	P840530	#10 Flat Washer	16
14	9P520002	1" x 5/16" Adhesive Neoprene	4 ft.
15	TA-1439	Sewing Head/Table Magnet	2

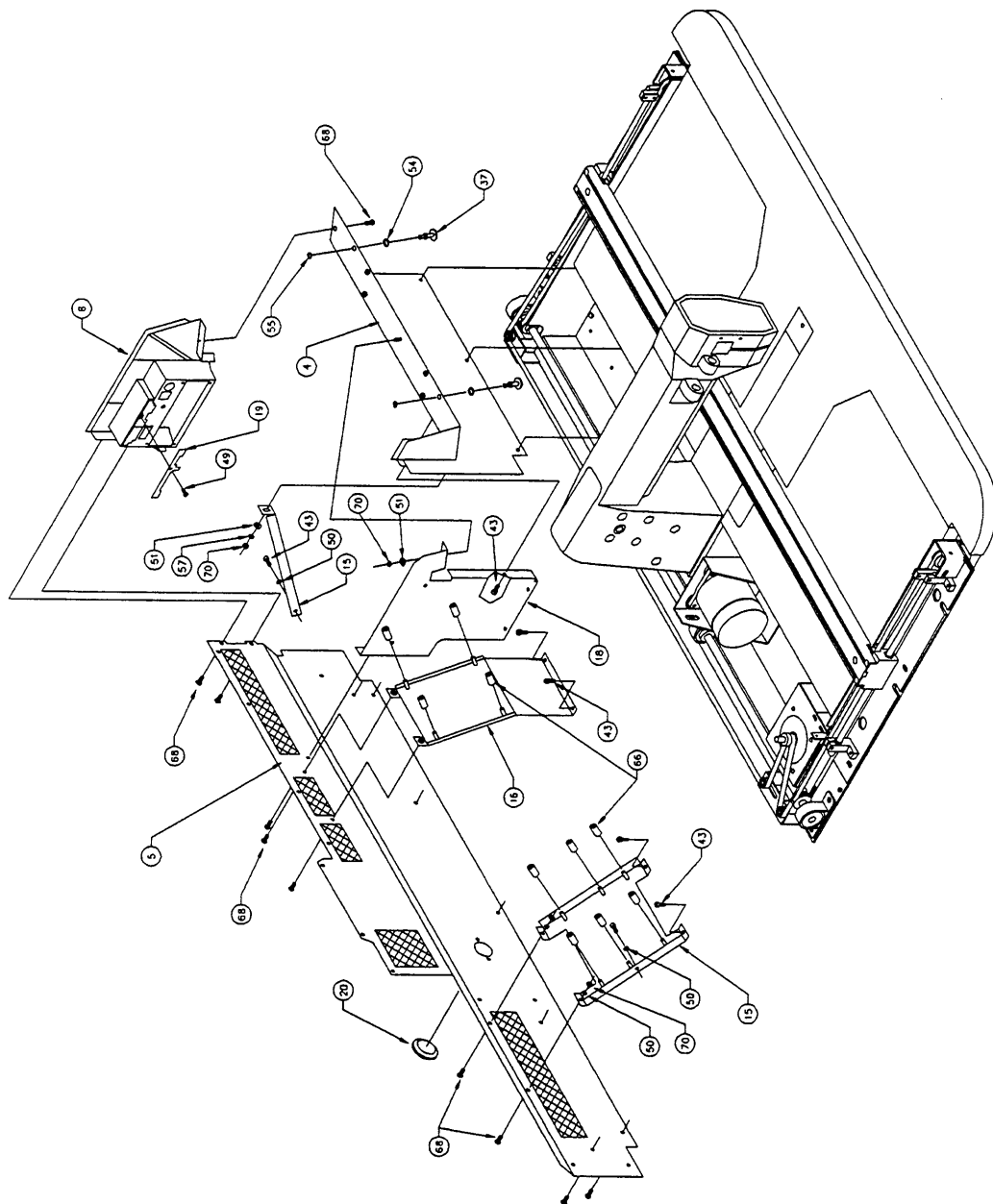
X DRIVE BELT



X DRIVE BELT			
ITEM	PART NO.	DESCRIPTION	QTY.
3	P700001	MZ-1 Weldment & Fabricated Base	1
22	P700241	Timing Belt Clamp	2
30	P700462	Flanged Bearing	18
41	P840053	1/4-20 X 1 Hex Socket Cap Screw	1
45	P840136	1/4-20 X 5/8 Hex Socket Button Head	12
47	P840434	#10-32 X 1/2 Socket Head Cap Screw	4
48	P840435	#10-32 X 1 Socket Head Cap Screw	2
52	P840540	1/4 Flat Washer	9
53	P840556	1/4 Shim Washer	9
58	P840580	1/4 Lock Washer Split	11
65	P840710	1/4-20 Hex Nut	3
69	P840737	#10-32 X 5/8 Socket Head Cap Screw	4
82	ZP701300	Pantograph Arm Fabrication	1
83	9P870001	Timing Belt (MXL025)	12ft
84	P840738	#10-32 X 5/8 Socket Head Flat Screw	2
85	ZP701700	Table Top Assembly	1

PARTS
IDENTIFICATION

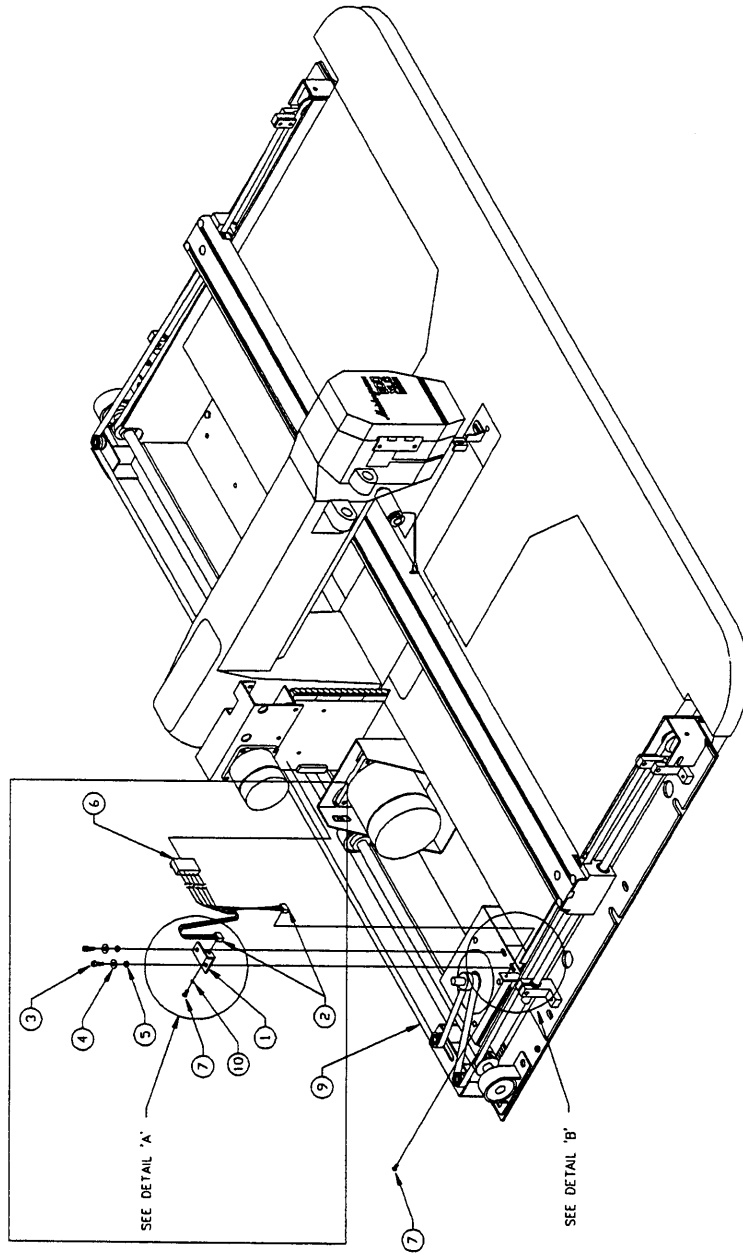
MAIN BASE



MAIN BASE			
ITEM	PART NO.	DESCRIPTION	QTY.
4	P700002	Lower Front Right Cover	1
5	P700003	Back Panel	1
6	P700015	Plastic Right End Cover	1
15	P700108	Stepper Board Bracket	1
16	P700115	Front Panel Support Bracket	1
17	P700116	Servo Board Bracket	1
18	P700201	Center Vert Support Plate	1
19	P700208	Power Module Cover Plate	1
20	P700222	Back Panel Metal Plug	1
37	P820701	1/4 Turn Fastener	2
43	P840073	#10-32 X 3/8 Hex Socket Cap Screw	22
49	P840470	#8-32 X 3/8 Phillips Tap (type 25)	1
50	P840506	#10 Internal Tooth Lock Washer	4
51	P840530	#10 Flat Washer	8
54	P840558	Nylon Washer	2
55	P840559	Retainer	2
57	P840572	#10 Lock Washer	15
66	P840722	#6-32 X 1/4 Hex Female Standoff	10
68	P840736	#10-32 X 3/8 Hex Socket Head Button	15
70	P840740	#10-32 Hex Nut	4

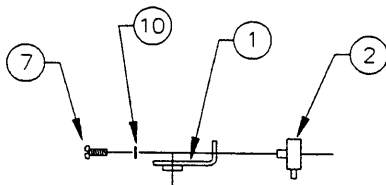
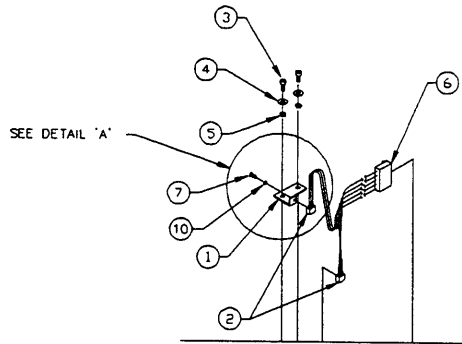
PARTS
IDENTIFICATION

LIMIT SWITCH ASSEMBLY



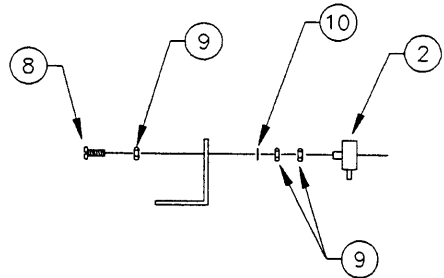
LIMIT SWITCH ASSEMBLY			
ITEM	PART NO.	DESCRIPTION	QTY.
1	P700109	Limit Switch Bracket	1
2	P413020	Hall Effect Sensor	2
3	P840065	#8-32 X 3/8 Hex Socket Cap Screws	2
4	P840520	#8 Flat Washer	2
5	P840523	#8 Lock Washer Split	2
6	P700353	Limit Switch Harness	1
7	P840396	#4-40 X 3/16 Slot Pan Head Screw	1
8	P840405	#4-40 X 3/4 Slot Pan Head Screw	1
9	P840715	#4-40 Hex Nut	3
10	P840505	#4 Internal Tooth Lock Washer	2

PARTS IDENTIFICATION



DETAIL 'A'

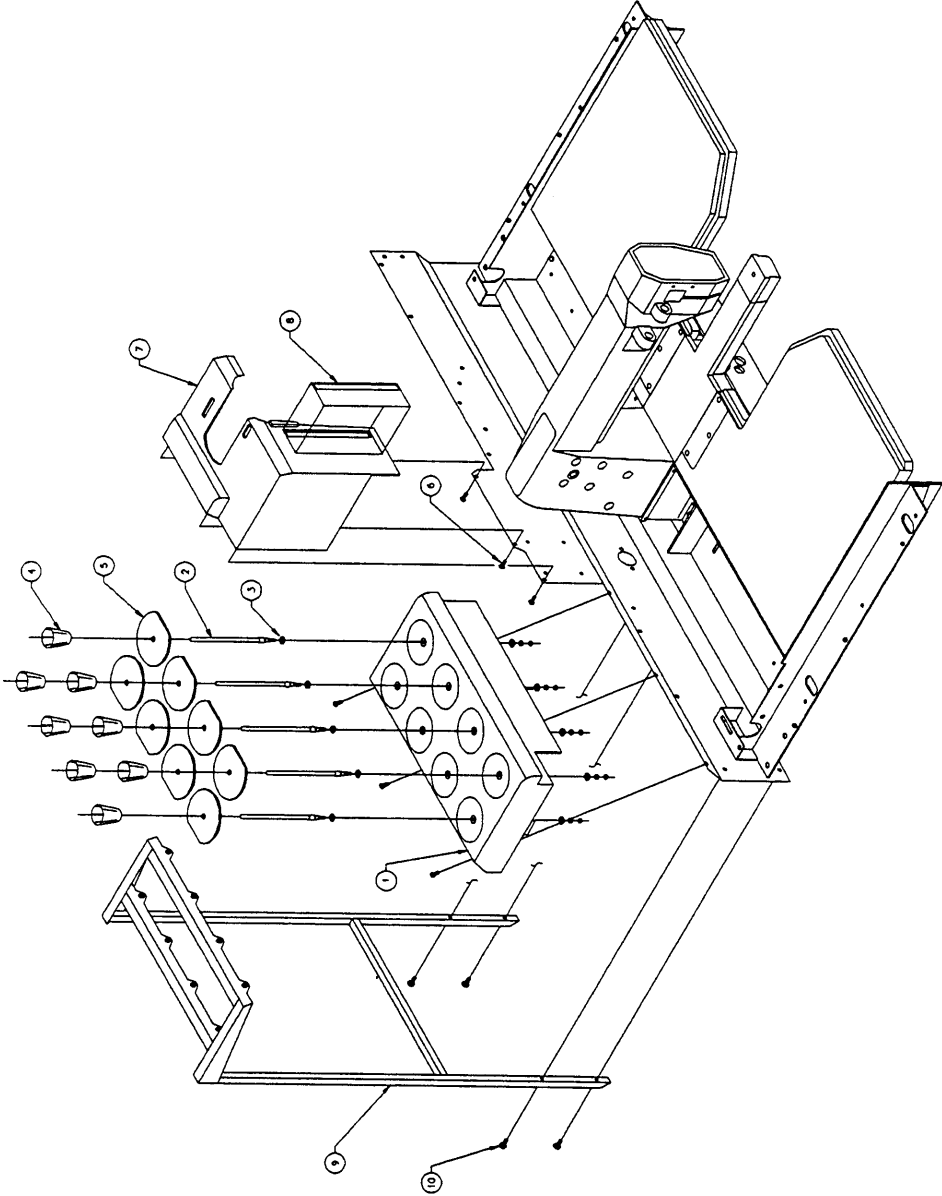
Y-AXIS SENSOR ASSEM.



DETAIL 'B'

X-AXIS SENSOR ASSEM.

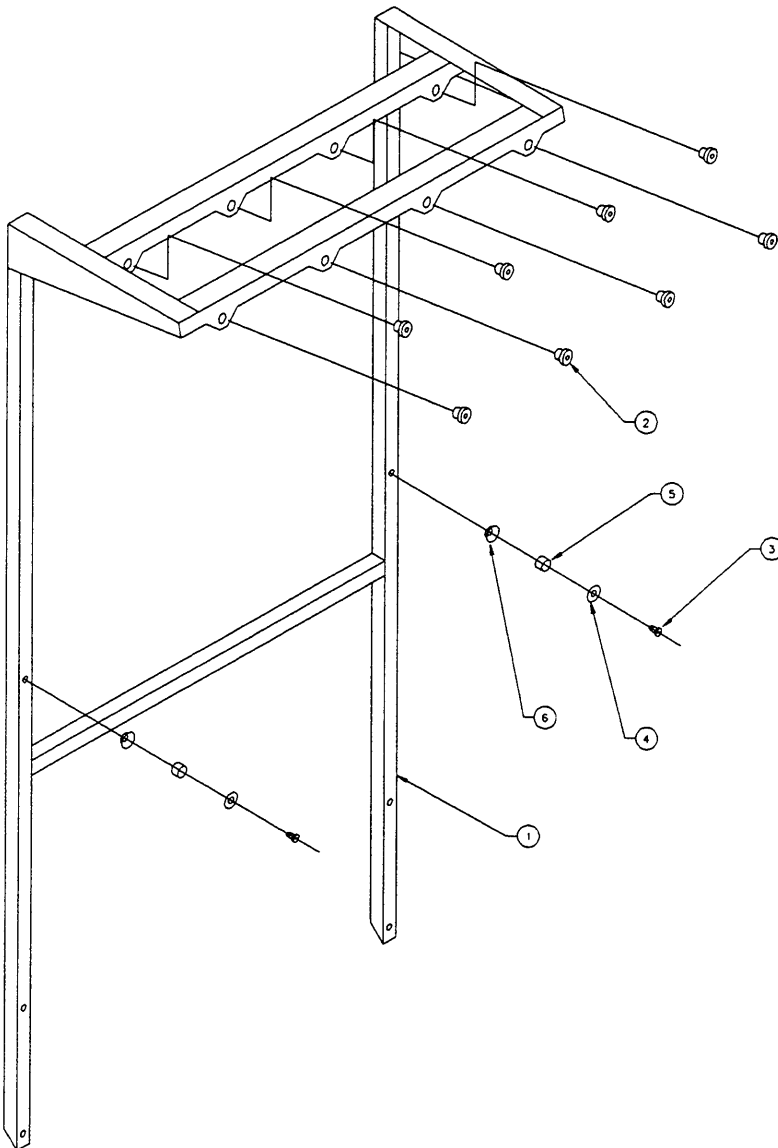
CENTER & LEFT COVER THREAD STAND ASSEMBLY



CENTER & LEFT COVER THREAD STAND ASSEMBLY			
ITEM	PART NO.	DESCRIPTION	QTY.
1	P700005	Left Top And Thread Base	1
2	P700701	Thread Spindle	8
3	P840543	Thread Spindle Shim Washer	8
4	P700702	Thread Spider	8
5	P700703	Thread Stand Felt	8
6	P840736	10-32 X 3/8 Socket Button Head Screw	6
7	P700006	Center Top Housing	1
8	P700903	Status Decal	1
9	ZP701240	Thread Stand Assembly	1
10	P840443	Thumbscrews	4

PARTS
IDENTIFICATION

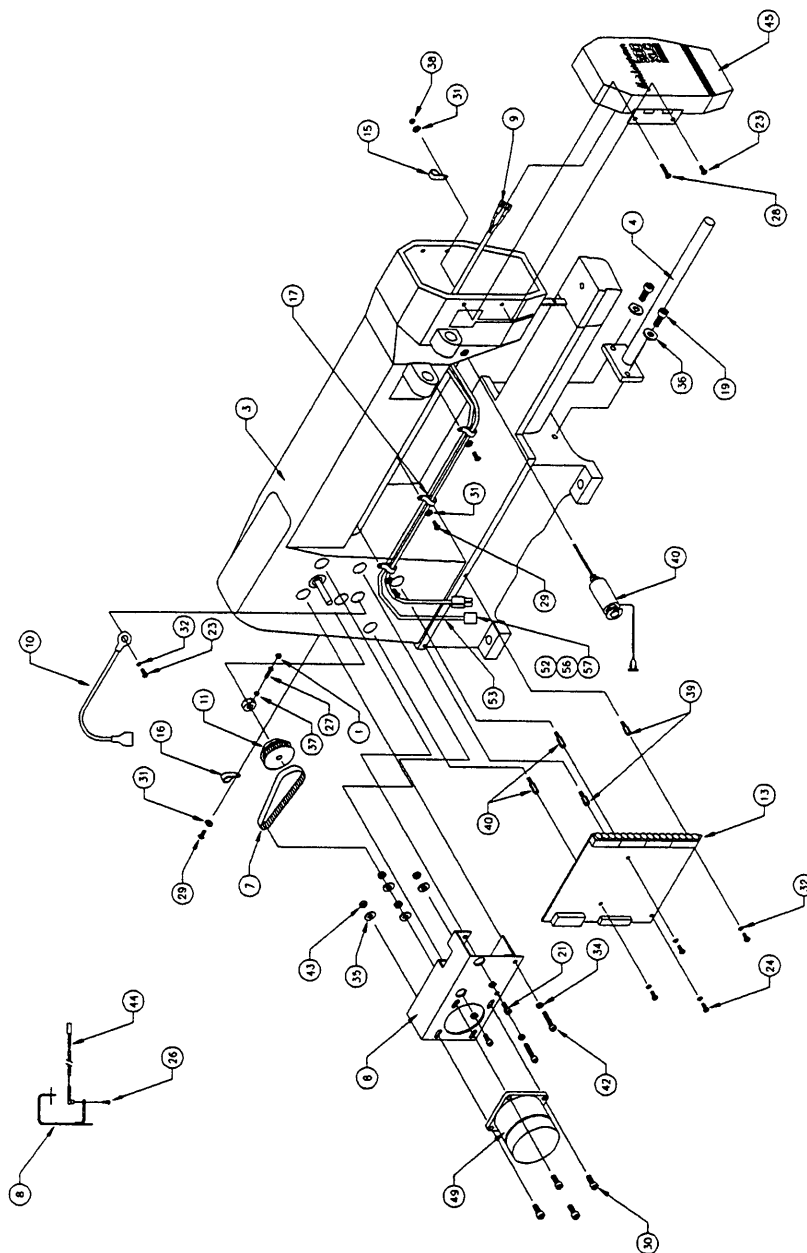
THREAD STAND ASSEMBLY



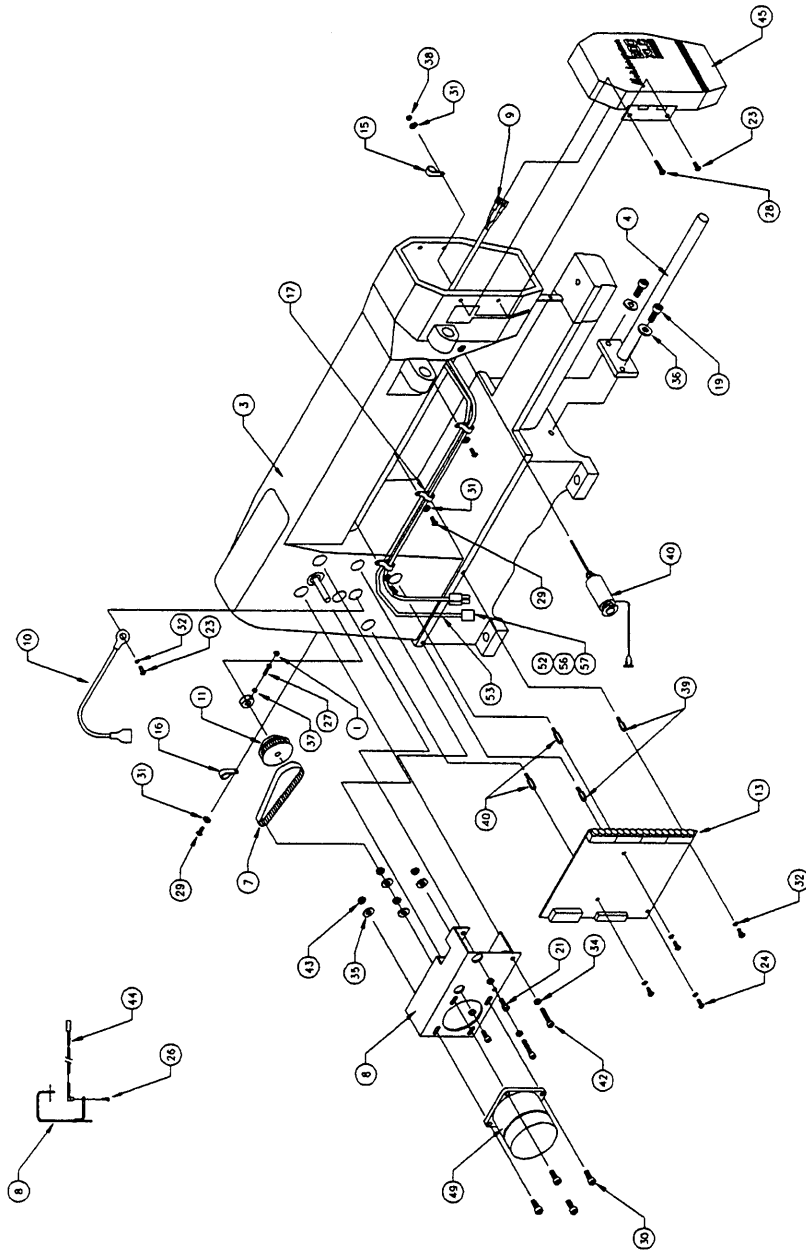
THREAD STAND ASSEMBLY			
ITEM	PART NO.	DESCRIPTION	QTY.
1	P700704	Thread Stand Mast	1
2	P820705	Eyelets	8
3	P700801	Screw M 27	2
4	P700802	Washer For M 27	2
5	P700803	Spring For M 27	2
6	P700804	Thread Trap Disc	2

PARTS
IDENTIFICATION

HEAD ASSEMBLY



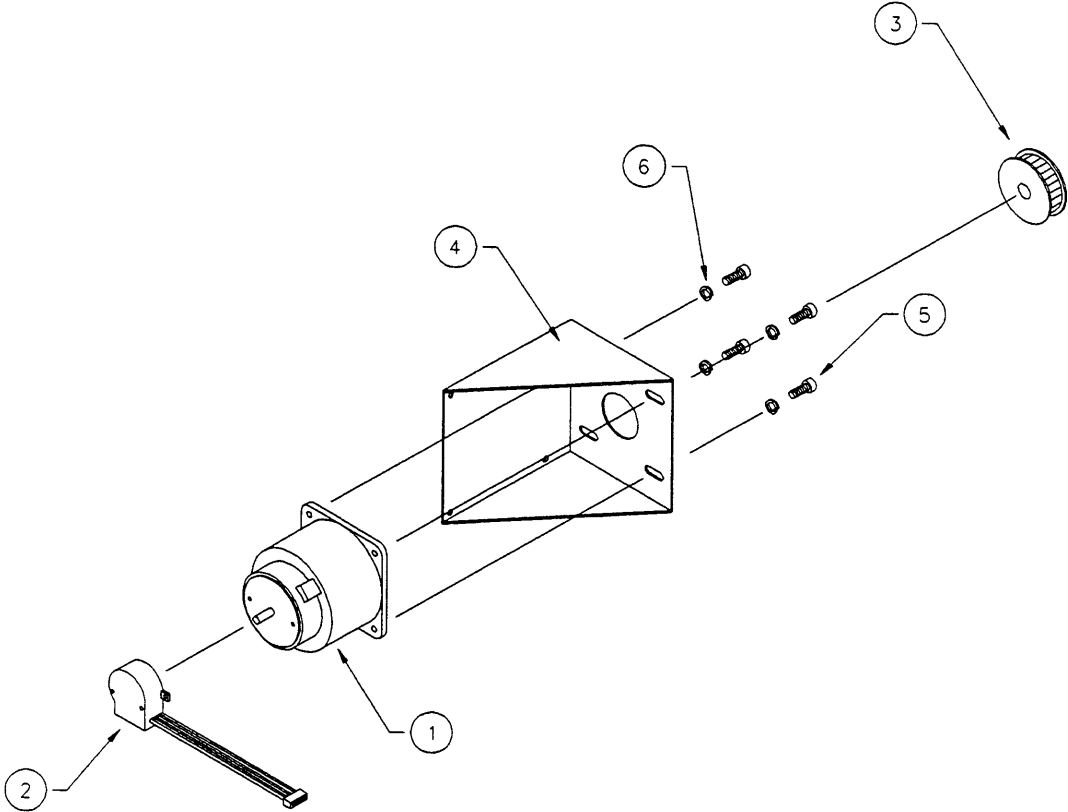
HEAD ASSEMBLY			
ITEM	PART NO.	DESCRIPTION	QTY.
1	P413018	Magnet	1
2	P530238	Sewing Head Tie Cable	1
3	P661001	Cylinder Arm Head	1
4	P661262	XLC Pivot Shaft	1
5	P661269	XLC Presserfoot	1
6	P700040	Timing Belt (195L050)	1
7	P700043	Timing Belt (100MXL025)	1
8	P700102	Stitch Width Bracket	1
9	P700348	Lamp Power Harness	1
10	P700364	Ground Wire	1
11	P700415	Pulley (48MXL025)	1
12	P700418	Timing Pulley (32L050)	1
13	P700607	Head Interface Board (PCB)	1
14	P700909	Machine Oil Information Decal	1
15	P820056	1/8 Cable Clip	1
16	P820061	3/16" Cable Clip	1
17	P820066	1/4" Cable Clip	3
18	P820700	Sewing Head Table Magnet	1
19	P840001	M6 X 20 Socket Head Cap Screw	2
20	P840003	M4 X 10 Hex Socket Cap Screw	4
21	P840065	#8-32 X 3/8 Hex Socket Cap Screw	2
22	P840121	#8-32 X 1-1/4 Socket Head Cap Screw	1
23	P840152	#6-32 X 3/8 Phillips Pan Head Screw	1
24	P840160	#6-32 X 1/4 Phillips Hex Head Washer	4
25	P840391	#4-40 X 3/8 Hex Socket Button Head Screw	3
26	P840396	#4-40 X 3/16 Phillips Pan Head Screw	1
27	P840405	#4-40 X 3/4 P.H.M. Screw	1
28	P840409	#6-32 X 3/4 Phillips Round Head Screw	1
29	P840410	#6-32 X 3/8 Slotted Pan Head Screw	4
30	P840434	#10-32 X 1/2 Socket Head Cap Screw	4
31	P840510	#6 Flat Washer	5
32	P840511	#6 Internal Tooth Lock Washer	5
34	P840523	#8 Split Lockwasher	5



HEAD ASSEMBLY			
ITEM	PART NO.	DESCRIPTION	QTY.
35	P840530	#10 Flat Washer	4
36	P840540	1/4" Flat Washer	2
37	P840715	#4-40 Hex Nut	1
38	P840720	#6-32 Hex Nut	1
39	P840721	#6-32 X 1/2 Hex M/F Stand Off	2
40	P840723	#6-32 X 3/8 Hex M/F Stand Off	2
41	P840730	#8-32 Hex Nut	3
42	P840734	#8-32 X 1-1/2 Hex Socket Cap Screw	2
43	P840740	#10-32 Hex Nut	4
44	ZP701100	900XLC SWL Sensor Assembly	1
45	ZP701110	900XLC Door Assembly	1
46	ZP701120	900XLC NPS Sender Assembly	1
47	ZP701140	900XLC NPS Pickup Assembly	1
48	ZP701160	Tension Release Solenoid Assembly	1
49	ZP701180	900XLC Stitch Width Assembly	1
50	ZP701200	900XLC Main Motor Assembly	1
51	P840515	#4 Flat Washer	3
52	9P530010	Polarizing Key/TBK	1
53	9P820350	3/32 Shrink Tubing	1
54	P312027	5" Cable Tie	2
55	P312028	3" Cable Tie	4
56	P820521	Bearing Terminal/TBK	2
57	P820562	3 Circuit Housing	1

PARTS
IDENTIFICATION

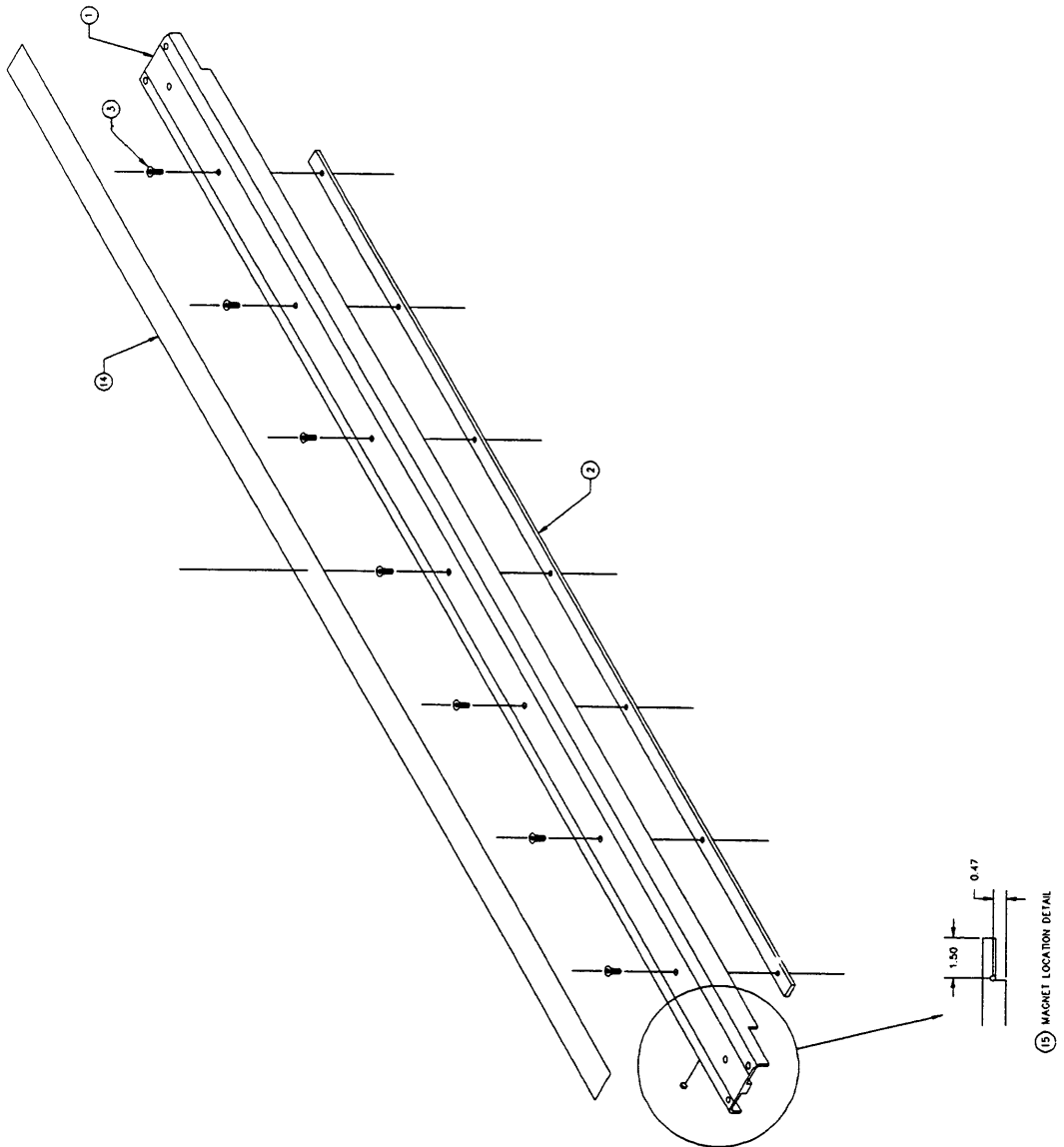
MAIN MOTOR ASSEMBLY



MAIN MOTOR ASSEMBLY			
ITEM	PART NO.	DESCRIPTION	QTY.
1	P701200	Servo Motor/Encoder Assembly	1
3	P700417	Pulley (16L050)	1
4	P700107	Main Motor Mount Bracket	1
5	P840060	1/4-28 X 1/2 Hex Socket Cap Screws	4
6	P840580	1/4" Lock Washer	4

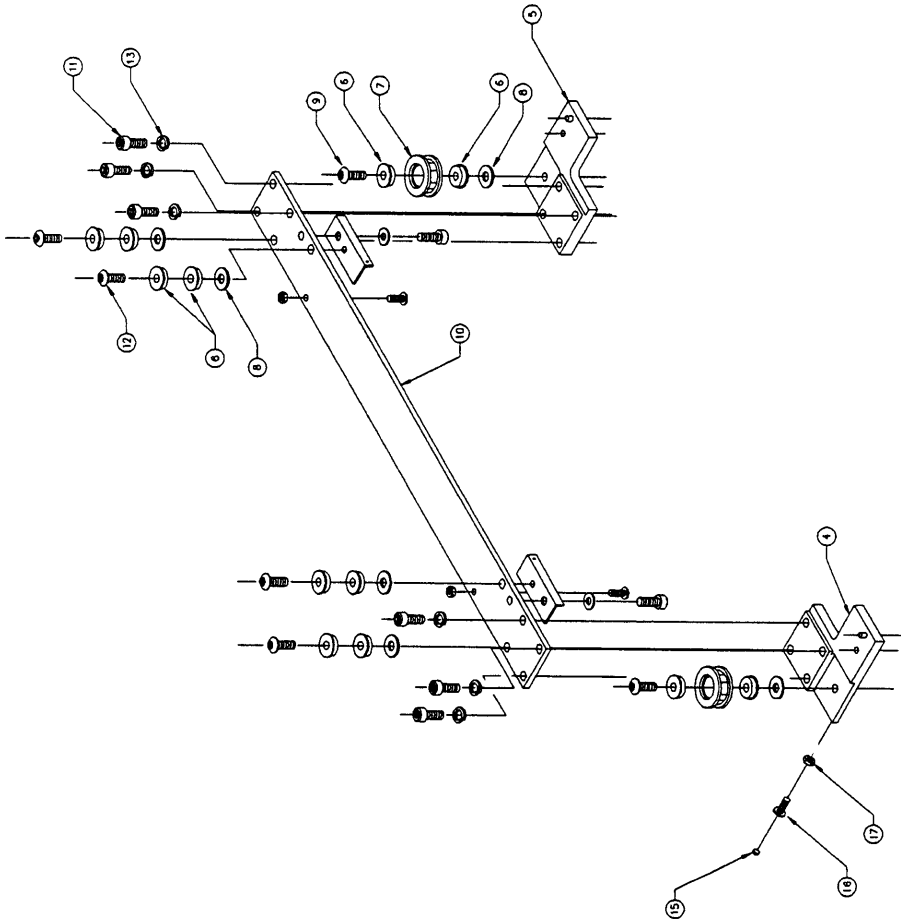
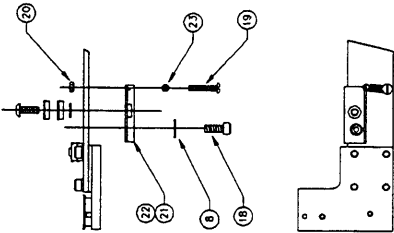
PARTS
IDENTIFICATION

PANTOGRAPH ARM ASSEMBLY



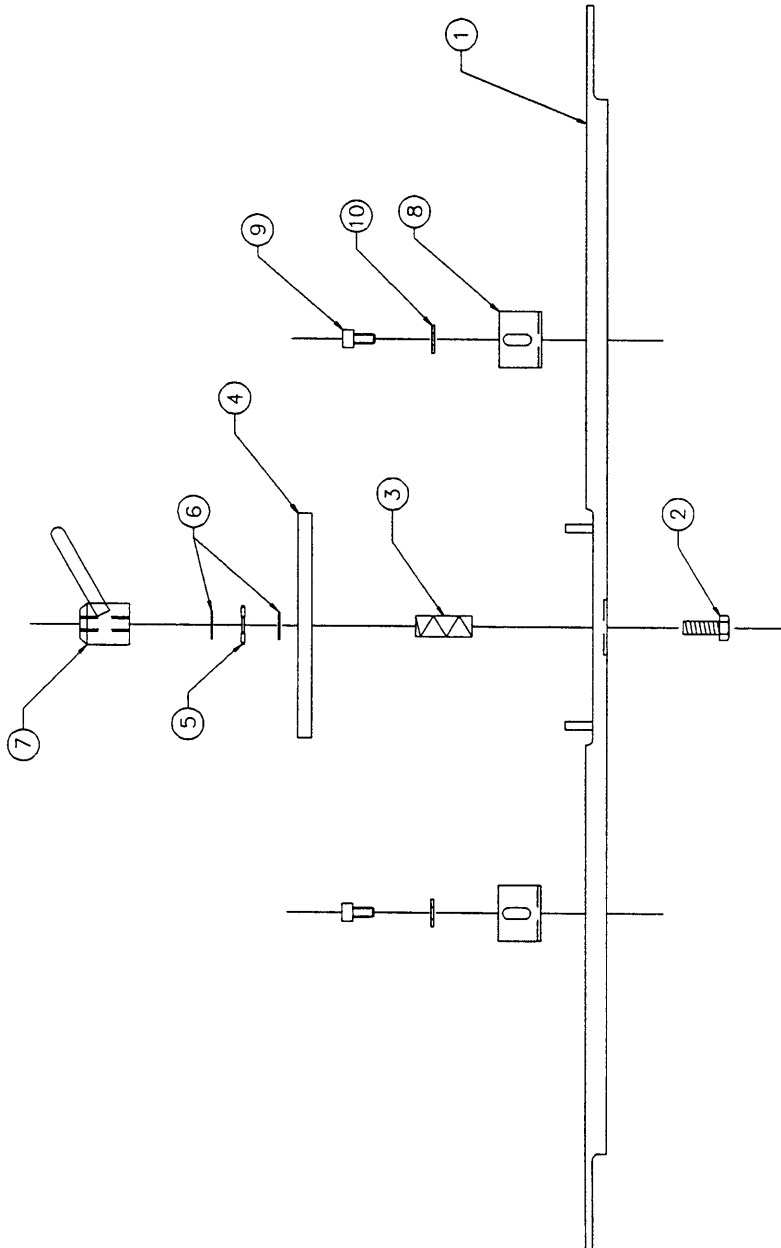
PANTOGRAPH ARM ASSEMBLY			
ITEM	PART NO.	DESCRIPTION	QTY.
1	P700628	Pantograph Arm Extrusion	1
2	P700626	X-Pantograph Bearing Guide Rail	1
3	P840112	#8-32 X 3/8 Flat Head Hex Socket	7
14	P700901	Pantograph Arm Decal	1
15	P413018	Magnet 3/16 diameter x 1/16 Rare Earth	1

PARTS
IDENTIFICATION



PANTOGRAPH ARM ASSEMBLY			
ITEM	PART NO.	DESCRIPTION	QTY.
4	P700624	Left Pantograph Hoop Arm Carrier	1
5	P700625	Right Pantograph Hoop Arm Carrier	1
6	P700462	Flanged Bearing	12
7	P700410	Idler Pulley (40MXL025)	2
8	P840556	1/4" Shim Washer	8
9	P840136	1/4-20 X 5/8 Socket Button Head Screw	2
10	P700623	Pantograph Carrier Bearing	1
11	P840051	1/4-20 X 5/8 Socket Head Cap Screw	6
12	P840069	1/4-20 X 1 Socket Head Button Screw	4
13	P840580	1/4" Split Lock Washer	6
15	P413018	3/16 Dia. X 1/16 Rare Earth Magnet	2
16	P840407	4-40 X 1/2 Slot Pan Head Screw	1
17	P840716	4-40 Small Pattern Hex Nut	1
18	P840049	1/4-20 X 3/8 Hex Socket Head Cap Screw	2
19	P840126	10-32 X 3/4 Phillips Pan Head Screw	2
20	P840740	10-32 Hex Nut	2
21	P700119	Left Pantograph Bearing Adjustment Bracket	1
22	P700120	Right Pantograph Bearing Adjustment Bracket	1
23	P700232	Spring Extension Pantograph	2

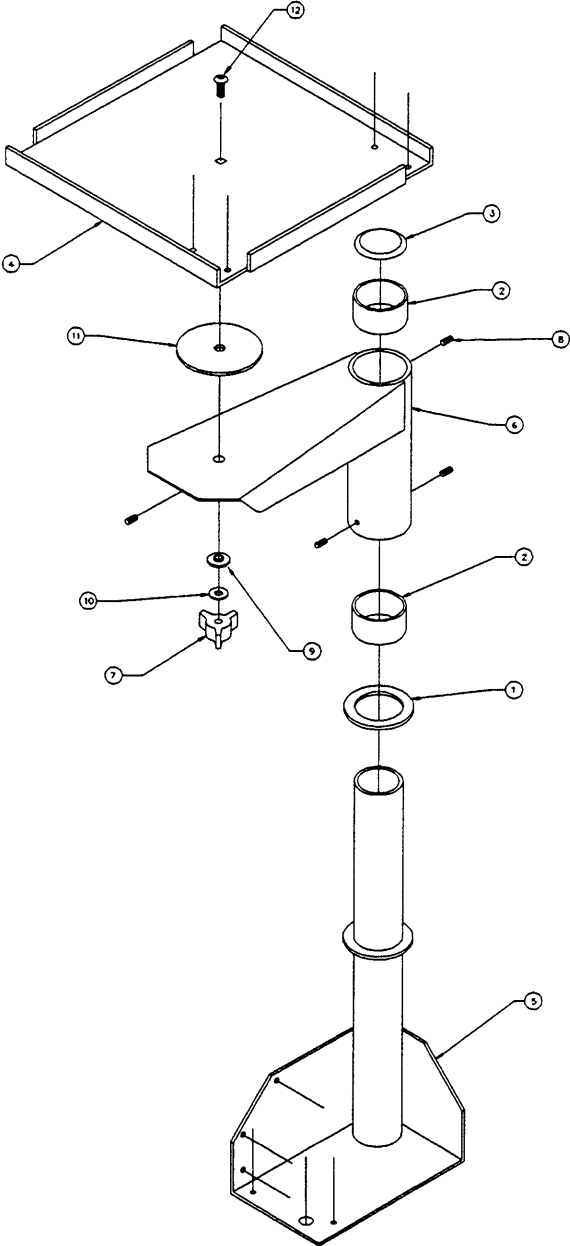
MEISTERGRAM HOOP ADAPTER ASSEMBLY



MEISTERGRAM HOOP ADAPTER ASSEMBLY			
ITEM	PART NO.	DESCRIPTION	QTY.
1	P700111	Hoop Bracket	1
2	P840615	1/4-20 X 1-1/4 Hex Head Bolt	1
3	P810053	Hoop Clamp Spring	1
4	P700206	Hoop Mount Clamp Plate	1
5	P700463	Pantograph Thrust Bearing	1
6	P700464	Thrust Bearing Washer	2
7	P700634	Clamping Knob/Lever Assembly	1
8	P700117	Cap Frame/Pantograph Bracket	2
9	P840073	#10-32 X 3/8 Hex Socket Cap Screw	2
10	P840530	#10 Flat Washer	2

PARTS
IDENTIFICATION

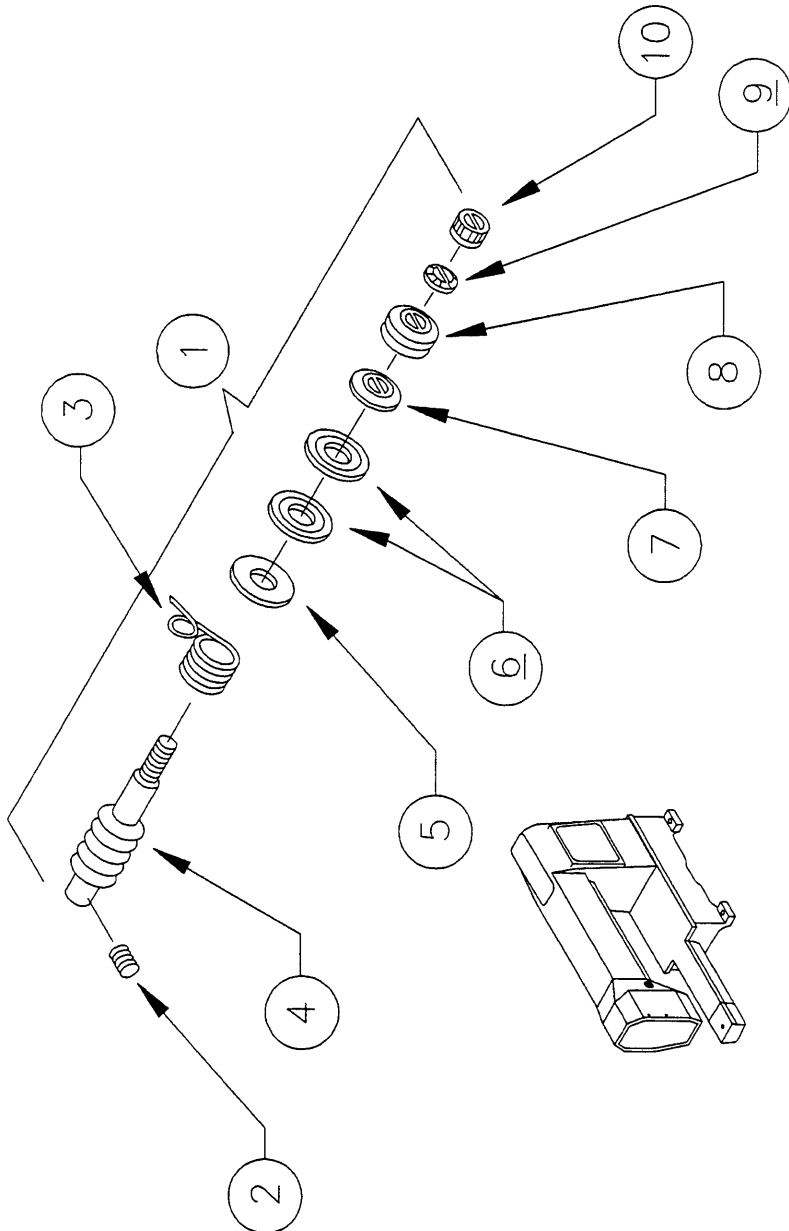
CRT ARM ASSEMBLY



CRT ARM ASSEMBLY			
ITEM	PART NO.	DESCRIPTION	QTY.
1	P670112	1.79 X 2.44 X 0.62 Washer Nylon	1
2	P670121	1.75 X 1.938 X 1 Bushing	2
3	P700026	Decorative Cap	1
4	P700014	Monitor Tray	1
5	P700522	CRT Support Tube And Bracket	1
6	P700523	CRT Arm	1
7	P820706	1/4-20 Decorative Nut	1
8	P840061	#10-32 X 1/4 Oval Point Hex Socket Set Screw	4
9	P700470	Monitor Swivel Tray Bushing	1
10	P840501	1/4 Spring Tension Washer	1
11	P840557	CRT Tray Nylon Washer	1
12	P840611	1/4-20 X 1-1/2 Rod Head Short Neck	1

PARTS
IDENTIFICATION

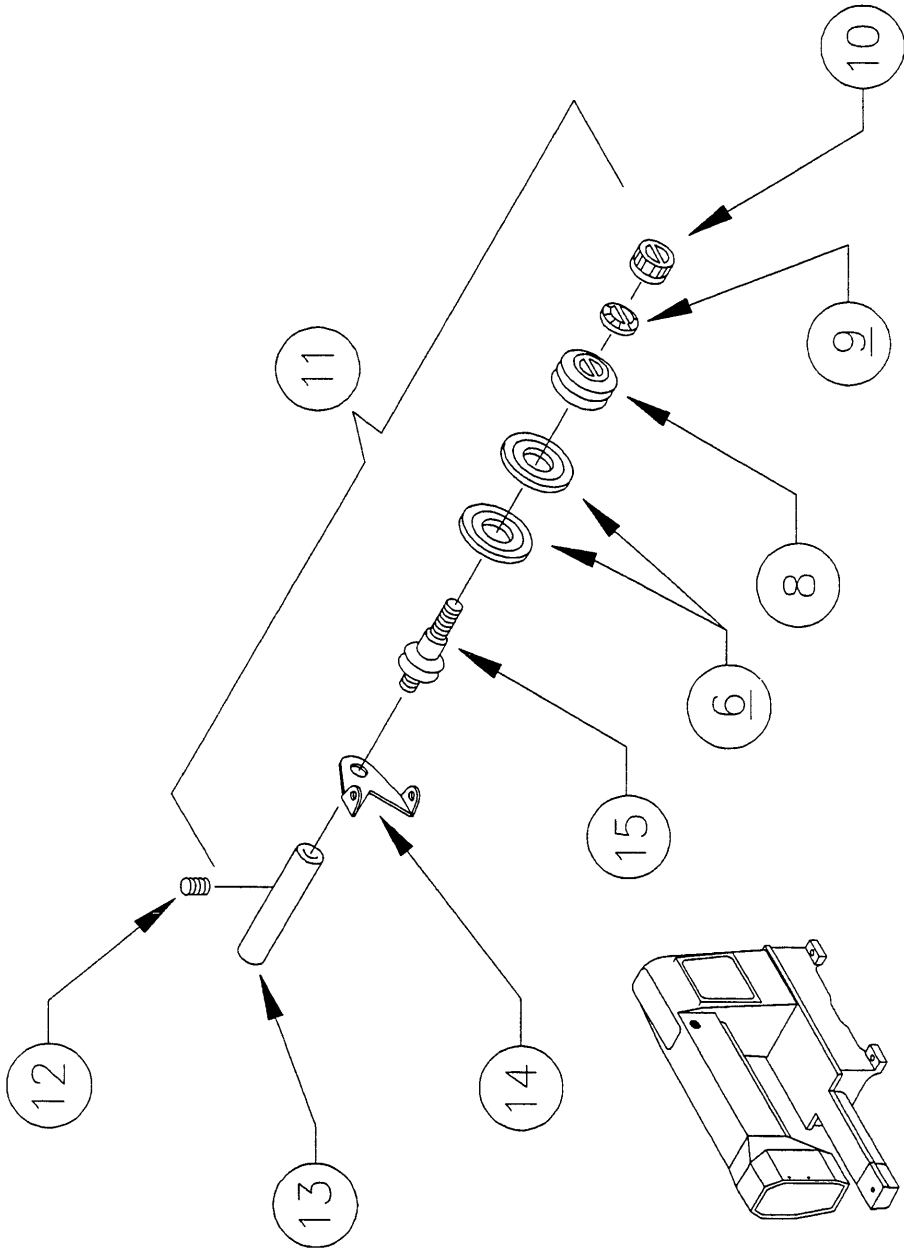
TENSION ASSEMBLY



TENSION ASSEMBLY			
ITEM	PART NO.	DESCRIPTION	QTY.
1	P661052	Tension Assembly Complete	1
2	P661061	M4 X 8 X 0.7 Socket Set Screw	1
3	P661054	Check Spring (Take-Up Spring)	1
4	P661053	Tension Stud	1
5	P661055	Insulating Disc	1
6	P661034	Tension Disc	2
7	P661057	Tension Release Disc	1
8	P661035	Tension Spring	1
9	P661036	Tension Nut Washer	1
10	P661037	Tension Nut	1

PARTS
IDENTIFICATION

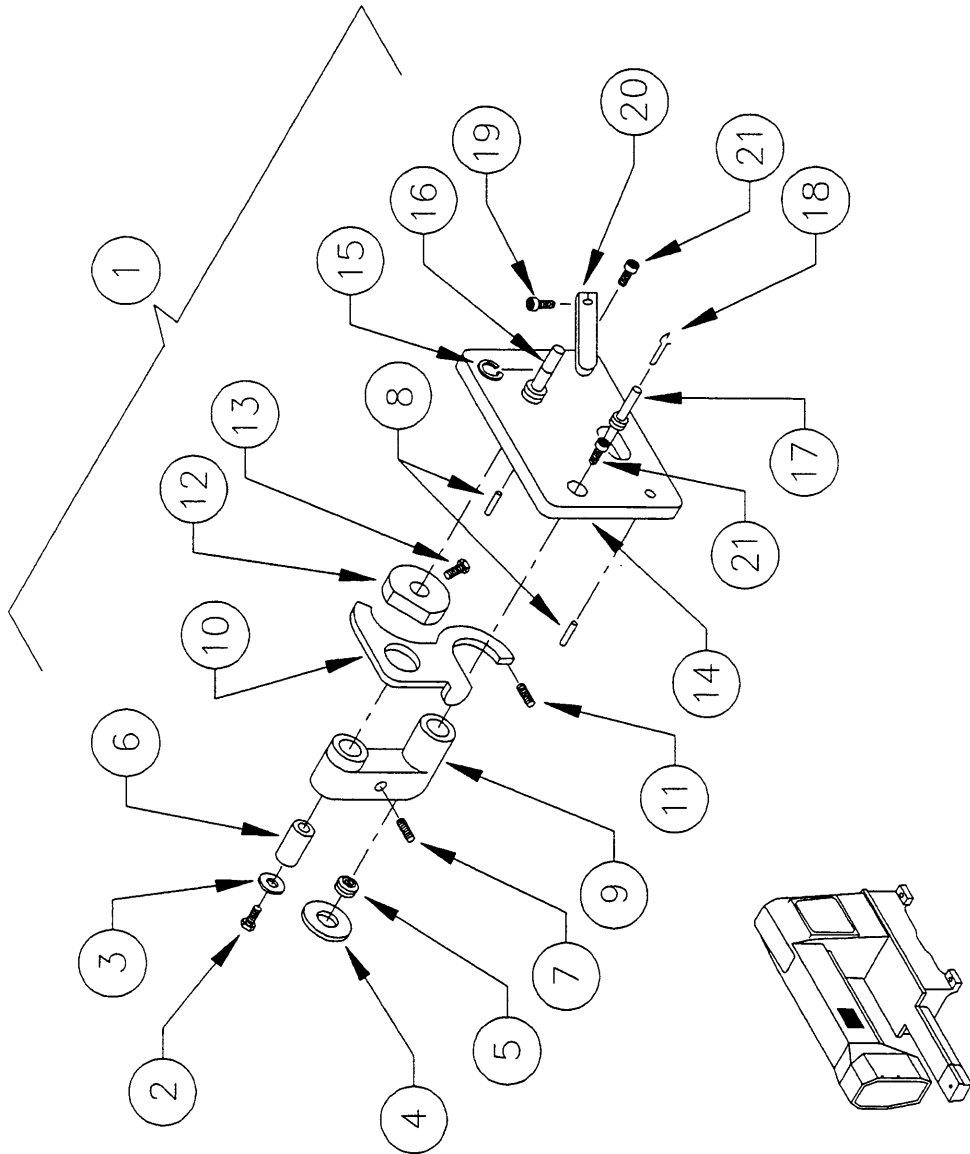
BOBBIN WINDER TENSION ASSEMBLY



BOBBIN WINDER TENSION ASSEMBLY			
ITEM	PART NO.	DESCRIPTION	QTY.
6	P661034	Tension Disc	2
8	P661035	Tension Spring	1
9	P661036	Tension Nut Washer	1
10	P661037	Tension Nut	1
11	P661030	Complete Winder Tension Assembly	1
12	P661038	M6 X 6 X 0.8 Socket Set Screw	1
13	P661031	Tension Post	1
14	P661032	Winder Thread Guide	1
15	P661033	Winder Tension Stud	1

PARTS
IDENTIFICATION

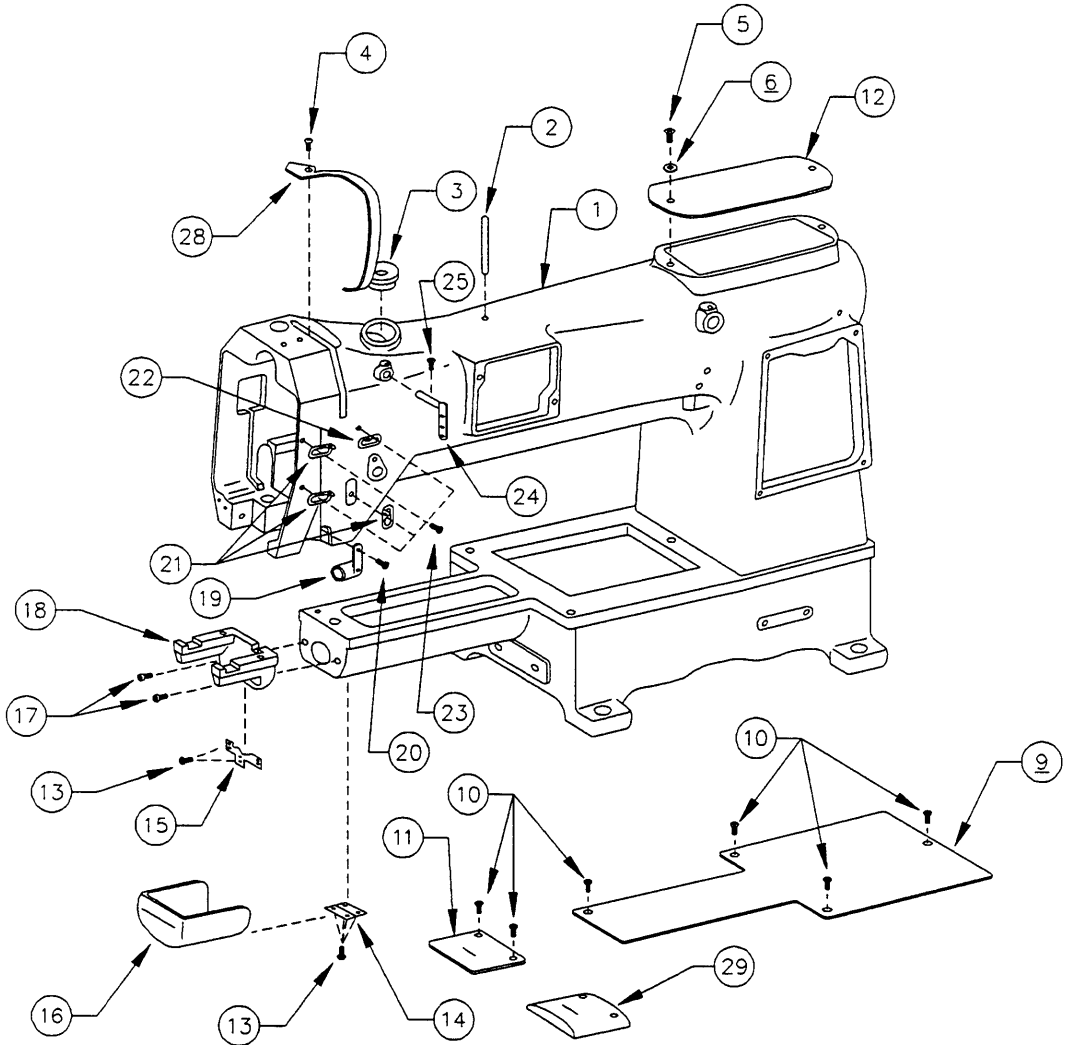
BOBBIN WINDER ASSEMBLY



BOBBIN WINDER ASSEMBLY			
ITEM	PART NO.	DESCRIPTION	QTY.
1	P661009	XLC Bobbin Winder	1
2	P661023	M4 X 20 X 0.7 Socket Cap Screw	1
3	P661025	M4 Flat Washer	1
4	P661028	O-ring 15 ID x 25 OD	1
5	P661017	Winder Wheel	1
6	P661012	Pivot Link Bushing	1
7	P661013	Bobbin Winder Spring	1
8	P661026	Roll Pin 3.5 Dia. X 16	2
9	P661011	Bobbin Winder Pivot Link	1
10	P661014	Winder Trip Lever	1
11	P661015	Winder Trip Spring	1
12	P661021	Winder Trip Lever Cam	1
13	P661022	Winder Cam Stop Screw	1
14	P661010	Bobbin Winder Mounting Plate	1
15	P661027	C-Clip	1
16	P661020	Winder Trip Arm Shaft	1
17	P661016	Bobbin Winder Shaft	1
18	P661018	Bobbin Key	1
19	P661024	M4 X 12 X 0.7 Socket Cap Screw	1
20	P661019	Winder Trip Arm	1
21	P661029	M4 X 10 X 0.7 Socket Cap Screw	2

PARTS
IDENTIFICATION

SEWING HEAD PARTS - VIEW 1

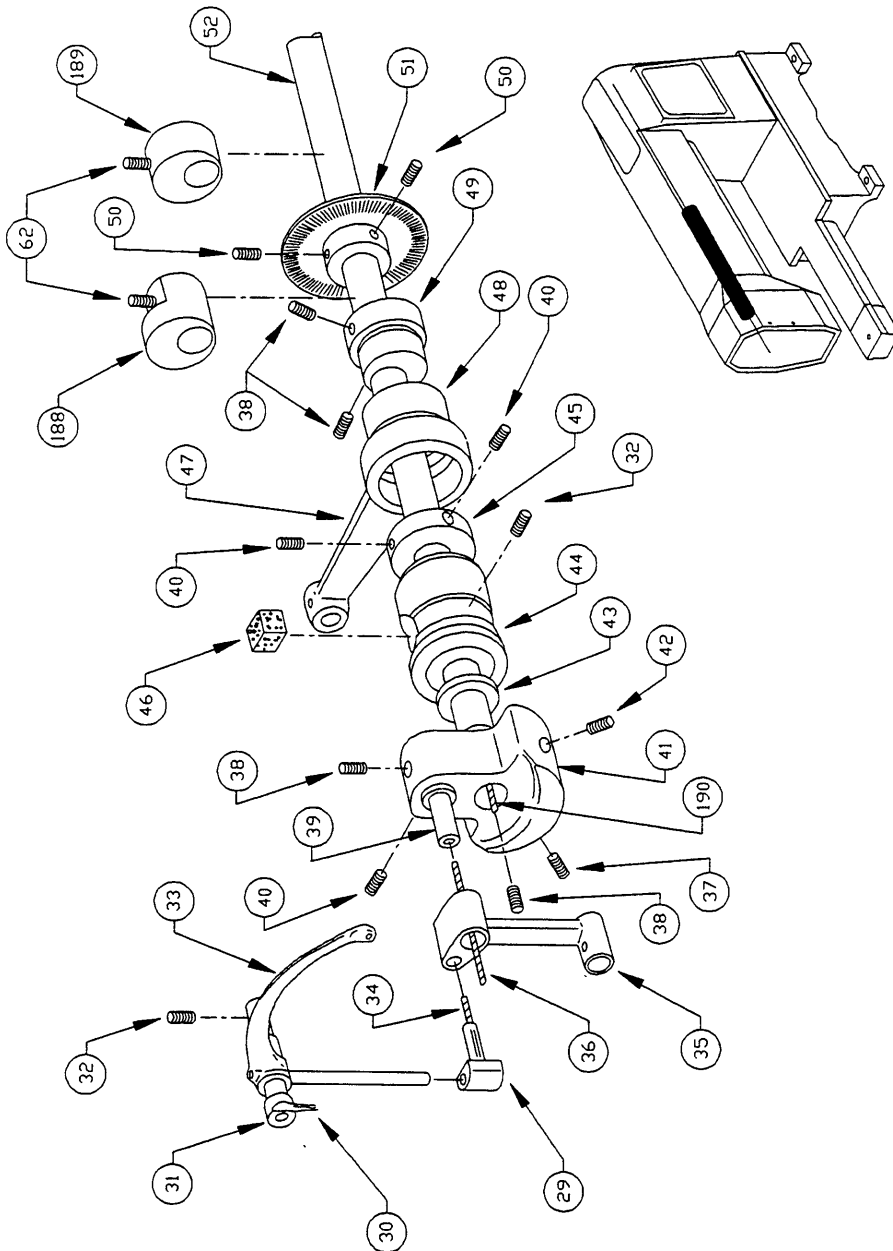


SEWING HEAD PARTS - VIEW 1			
ITEM	PART NO.	DESCRIPTION	QTY
1	ZP661000	Cylinder Arm Head	1
2	P661039	Top Thread Guide	1
3	P661074	Oil Plug	1
4	P661073	M4 X 6 X 0.7 Phillips Truss Head Screw	1
5	0661076	Top Cover Plate Screw	1
6	P661077	Wavey Washer 6.4 ID X 11 OD	1
9	P661082	Work Plate	1
10	P661081	11/64-40 X 9 Slot Oval	6
11	P661080	Throat Plate	1
12	P661075	Top Cover Plate	1
13	P661086	M3 X 5 X 0.5 Phillips Pan Head Screw	6
14	P661085	Hook Cover Hinge	1
15	P661087	Hook Cover Hatch	1
16	P661084	Hook Cover	1
17	P661008	M5 X 14 X 0.8 Socket Cap Screw	2
18	P661007*	Needle Plate Bracket	1
19	P413865	Spring Loaded Thread Guide	1
20	P661069	9/64-40 X 6 Slot Flat Head Screw	1
21	P661043	Front Thread Guide	3
22	P661044	Rear Thread Guide	1
23	P661045	9/64-40 X 8 Slot Pan Head Screw	4
24	P661040	3-Hole Thread Guide	1
25	P661041	M4 X 4 X 0.7 Socket Set Screw	1
28	P661072	Take-Up Lever Guard	1
29	P661071	Raised Throat Plate	1

PARTS
IDENTIFICATION

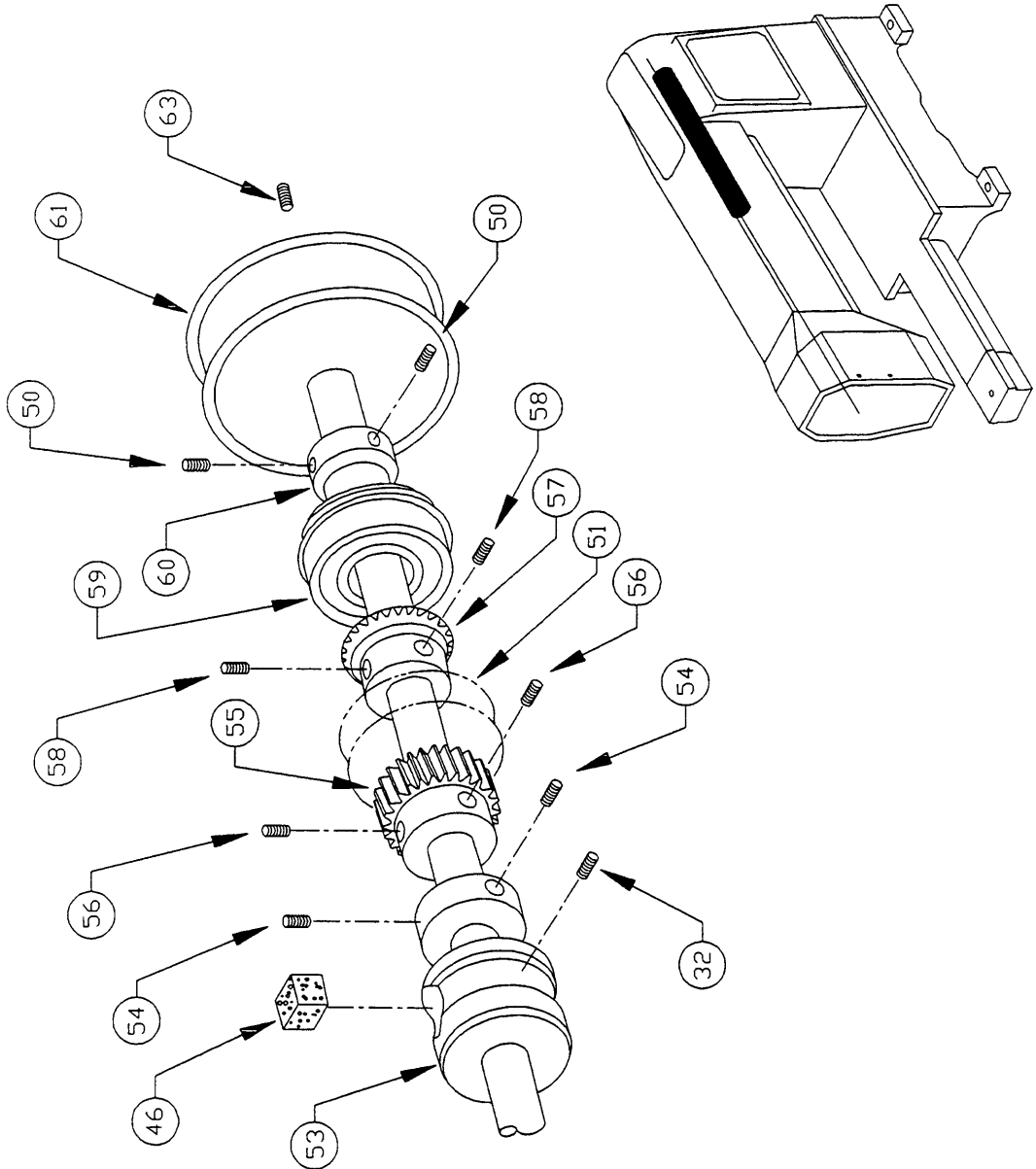
*This part has changed, ;you will need to order 2 pieces to replace it. The new part numbers are P661258 Hook Supporting Plate (Position Finger) and P661050 Set Screw for Hook Supporting Plate.

SEWING HEAD PARTS - VIEW 2A



SEWING HEAD PARTS - VIEW 2A			
ITEM	PART NO.	DESCRIPTION	QTY.
29	P413559	Take-Up Lever Driver Stud	1
30	P661095	3.5 Diameter X 45 Long Oil Wick	1
31	P413555	Take-Up Lever Hinge Stud	1
32	P661094	M6 X 10 X 1.0 Socket Set Screw	3
33	P413650	Take-Up Lever	1
34	P661097	3.5 Diameter X 25 Long Oil Wick	1
35	P413274	Needle Bar Connecting Link	1
36	P661099	3.5 Diameter X 55 Long Oil Wick	1
37	P661104	9/32-28 X 11 Screw	1
38	P661102	15/64-28 X 4.5 Slot Set Screw	4
39	P413269	Needle Bar Connecting Link Stud	1
40	P661101	15/64-28 X 7 Slot Set Screw	3
41	P661103	Needle Bar Crank	1
42	P661105	15/64-28 X 13 Slot Set Screw	1
43	P661106	Crank Friction Washer	1
44	P413310	Front Arm Shaft Bushing	1
45	P661113	Front Collar	1
46	P661112	Oil Pad	2
47	P413472	Eccentric/Cam	1
48	P413473	Needle Bearing	1
49	P413471	Lifting Eccentric	1
50	P0661038	M6 X 6 X 0.8 Socket Set Screw	4
51	P0661119	Winder Friction Disc	1
52	P661107	Arm Shaft	2
62	P661134	M6 X 12 X 1.0 Socket Set Screw	6
188	P661268	Balance Weight I	1
189	P661267	Balance Weight II	1
190	P661108	Oil Wick	1

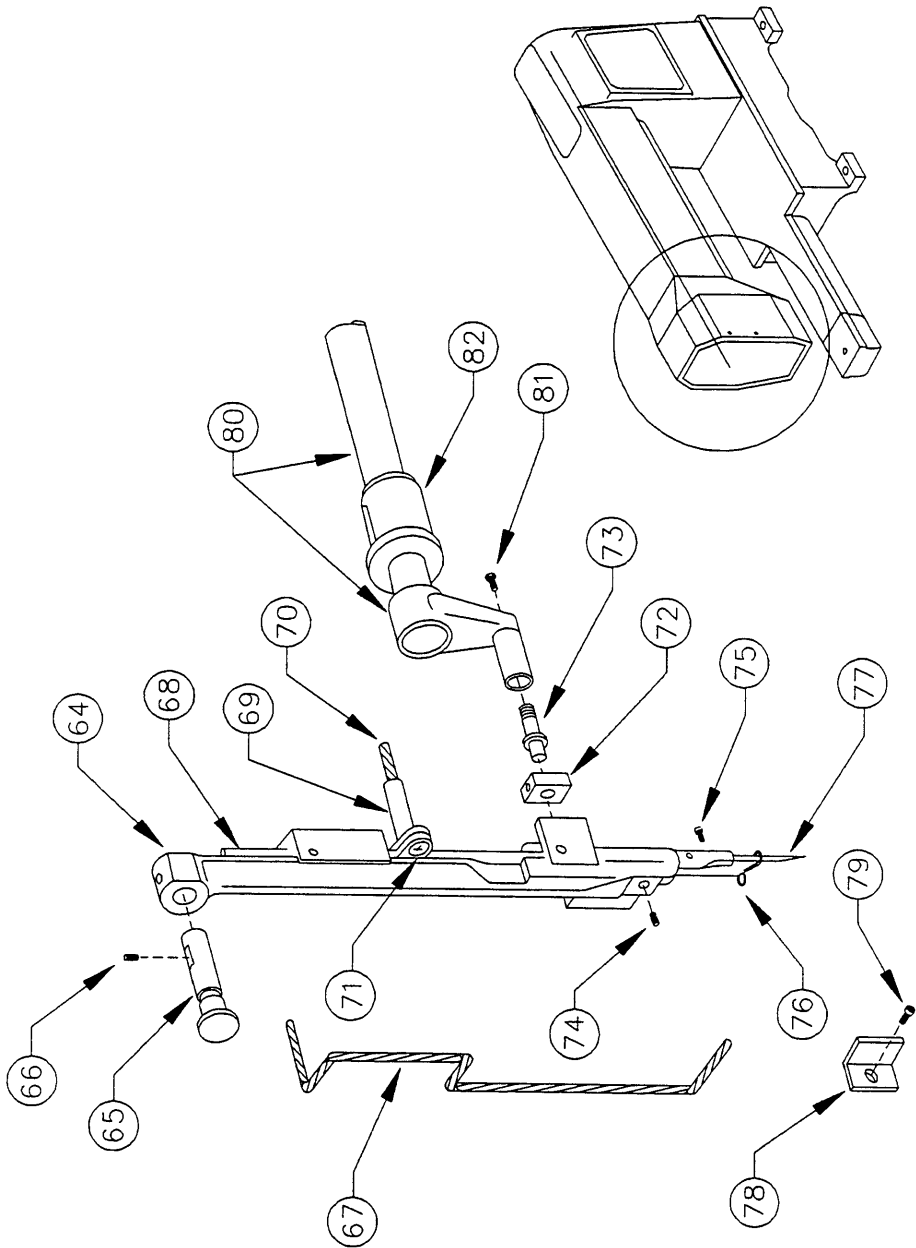
SEWING HEAD PARTS - VIEW 2B



SEWING HEAD PARTS - VIEW 2B			
ITEM	PART NO.	DESCRIPTION	QTY.
32	P661094	M6 X 10 X 1.0 Socket Set Screw	3
46	P661112	Oil Pad	2
50	P661038	M6 X 6 X 0.8 Socket Set Screw	4
51	ZP701120	NPS Sender Assembly	1
53	P413602	Middle Arm Shaft Bushing	1
54	P661125	M6 X 8 X 1.0 Socket Set Screw	2
55	P413751	Feed Collar	1
56	P413609	1/4-40 X 6 Slot Set Screw	2
57	P661128	Spiral Arm Shaft Gear	1
58	P413609	1/4-40 X 6 Slot Set Screw	2
59	P661130	Rear Arm Shaft Bearing	1
60	P661131	Arm Shaft Bearing Collar	1
61	P661133	Balance Wheel	5
63	P661135	M6 X 12 X 1.0 Socket Set Screw	1

PARTS
IDENTIFICATION

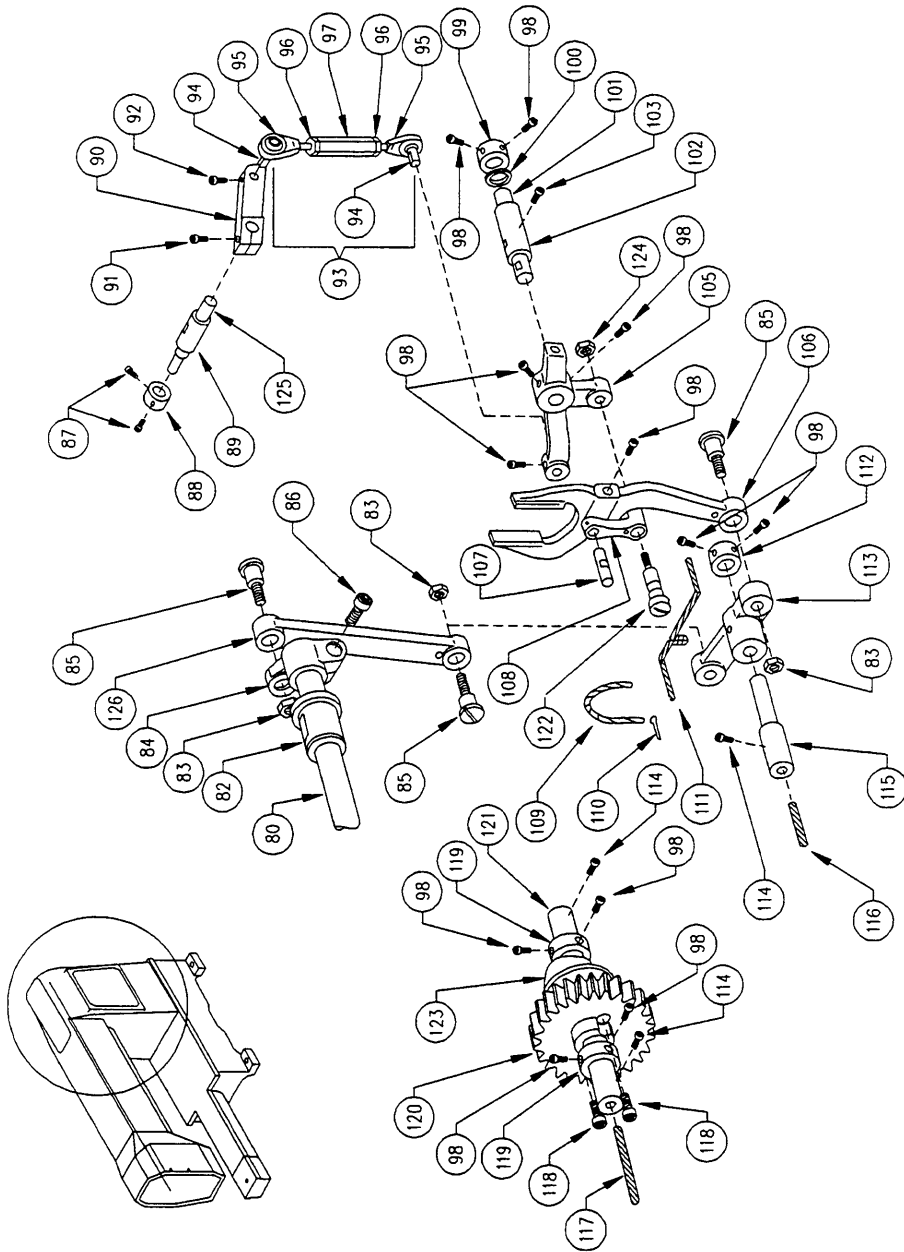
SEWING HEAD PARTS - VIEW 3A



SEWING HEAD PARTS - VIEW 3A			
ITEM	PART NO.	DESCRIPTION	QTY.
64	P642510	Needle Bar Frame	1
65	P413527	Hinge Pin	1
66	P661094	M6 X 10 X 1.0 Socket Set Screw	1
67	P661139	3.5 Diameter X 270 Long Oil Wick	1
68	P661144	Needle Bar	1
69	P413278	Needle Bar Connecting Stud	1
70	P661147	3.5 Diameter X 35 Long Oil Wick	1
71	P413279	Screw	1
72	P413330	Needle Bar Frame Slide Block	1
73	P413328	Needle Bar Frame Block Stud	1
74	P661041	M4 X 4 X 0.7 Socket Set Screw	1
75	P413535	Needle Screw	1
76	P413860	Lower Arm Thread Guide	1
77	SEE CATALOG	Needle	1
78	P413308	Needle Bar Frame Position Bracket	1
79	P661141	M4 X 6 X 0.7 Socket Cap Screw	1
80	P661150	Needle Bar Rock Frame Shaft	1
81	P413329	Set Screw	1
82	P661154	Rock Frame Shaft Bushing	2

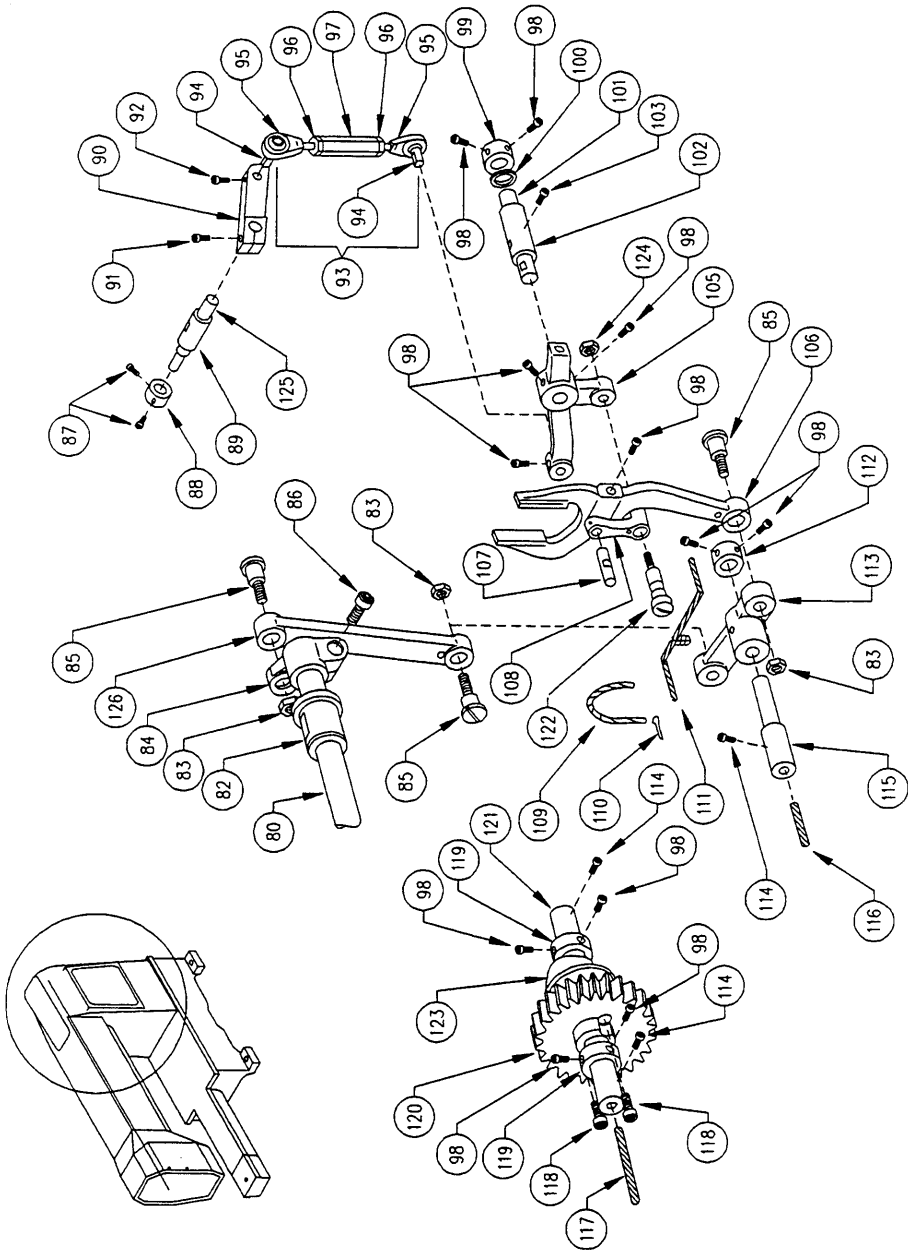
PARTS
IDENTIFICATION

SEWING HEAD PARTS - VIEW 3B



SEWING HEAD PARTS - VIEW 3B			
ITEM	PART NO.	DESCRIPTION	QTY.
80	P661150	Needle Bar Rock Frame Shaft	1
82	P661154	Needle Bar Rock Frame Shaft Bushing	2
83	P413247	Hinge Nut	2
84	P661155	Needle Bar Shaft Crank	1
85	P413660	Hinge Screw	3
86	P661156	M6 X 20 X 1.0 Socket Cap Screw	1
87	P661195	Collar Set Screw	2
88	P661194	Coupling Shaft Collar	1
89	P413735	Coupling Drive Bushing	1
90	P661190	Linking Crank	1
91	P661024	M4 X 12 X 0.7 Socket Cap Screw	1
92	P661041	M4 X 4 X 0.7 Socket Set Screw	1
93	P661184	Stitch Width Rod Assembly	1
94	P413776	Bearing Pin	2
95	P413775	Bearing Pin Connecting Bracket	2
96	P413206	Lock Nut	2
97	P661185	Stitch Width Arm	1
98	P661163	M4 X 5 X 0.8 Socket Set Screw	12
99	P661182	Collar	1
100	P661181	Wavey Washer	1
101	P413763	Support Shaft	1
102	P413764	Support Shaft Bushing	1
103	P551984	M6 X 10 X 1.0 Socket Set Screw	1
105	P661175	Stitch Width Regulating Arm	1
106	P413758	Stitch Width Cam Follower	1
107	P413760	Shaft	1
108	P413759	Pivot Lock	1
109	P661171	3.5 Diameter X 75 Long Oil Wick	1
110	P413585	Cotter Pin	1
111	P661167	3.5 Diameter X 200 Long Oil Wick	1
112	P661162	Thrust Collar	1
113	P413782	Pivot Connecting Bracket	1
114	P661094	M6 X 10 X 1.0 Socket Set Screw	3

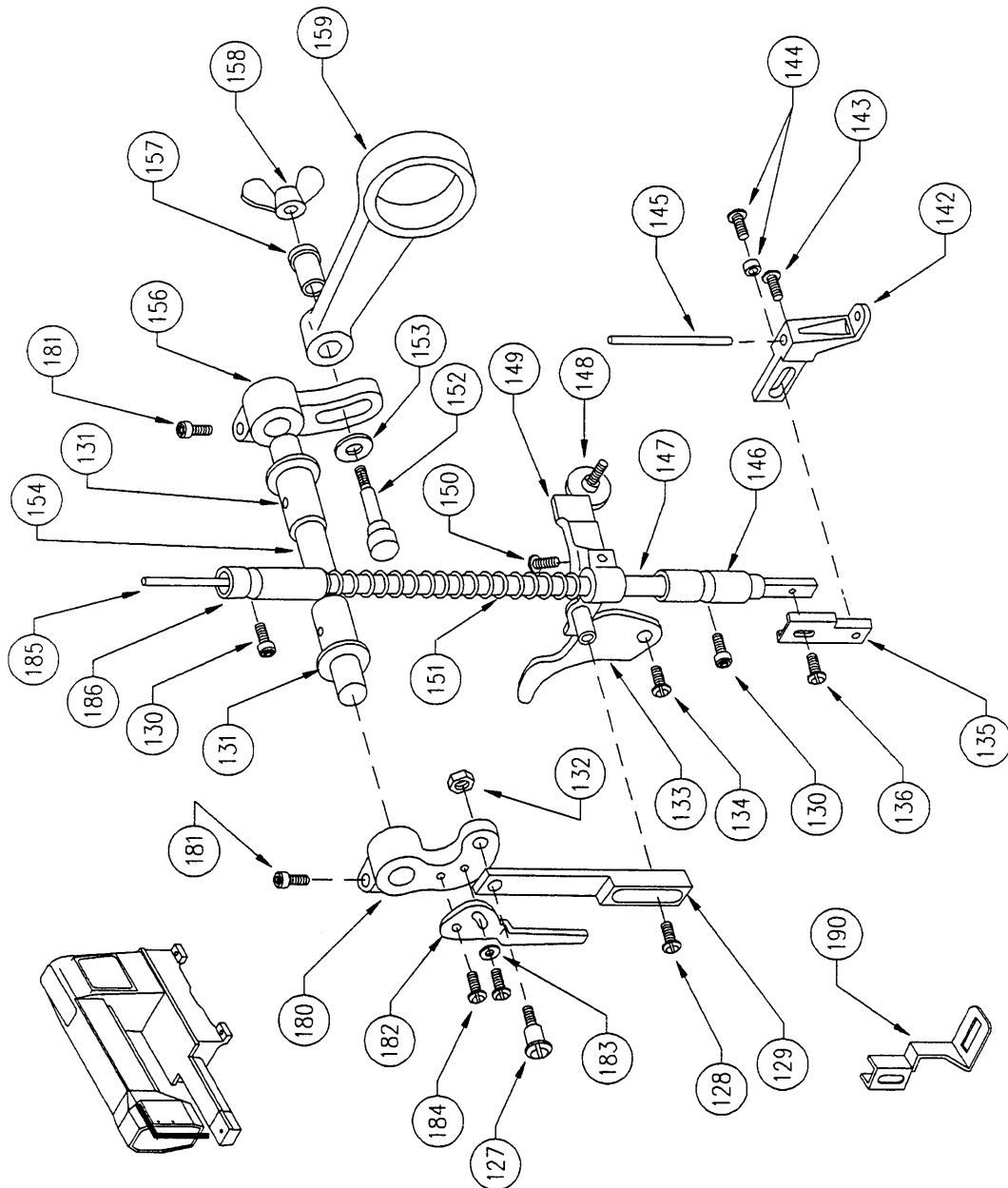
PARTS
IDENTIFICATION



SEWING HEAD PARTS - VIEW 3B			
ITEM	PART NO.	DESCRIPTION	QTY.
115	P413783	Pivot Shaft	1
116	P661095	3.5 Diameter X 45 Long Oil Wick	1
117	P661201	3.5 Diameter X 100 Long Oil Wick	1
118	P661008	M5 X 14 X 0.8 Socket Cap Screw	2
119	P661202	Shaft Collar	2
120	P413752	Stitch Width Drive Gear	1
121	P413754	Stitch Width Cam Shaft	1
122	P661163	Pivot Link Shoulder Screw	1
123	P413753	Stitch Width Cam	1
124	P661174	15/64-28 Hex Nut	1
125	P413779	Coupling Dive Shaft	1
126	P413784	Needle Bar Rock Shaft Crank Connector	1

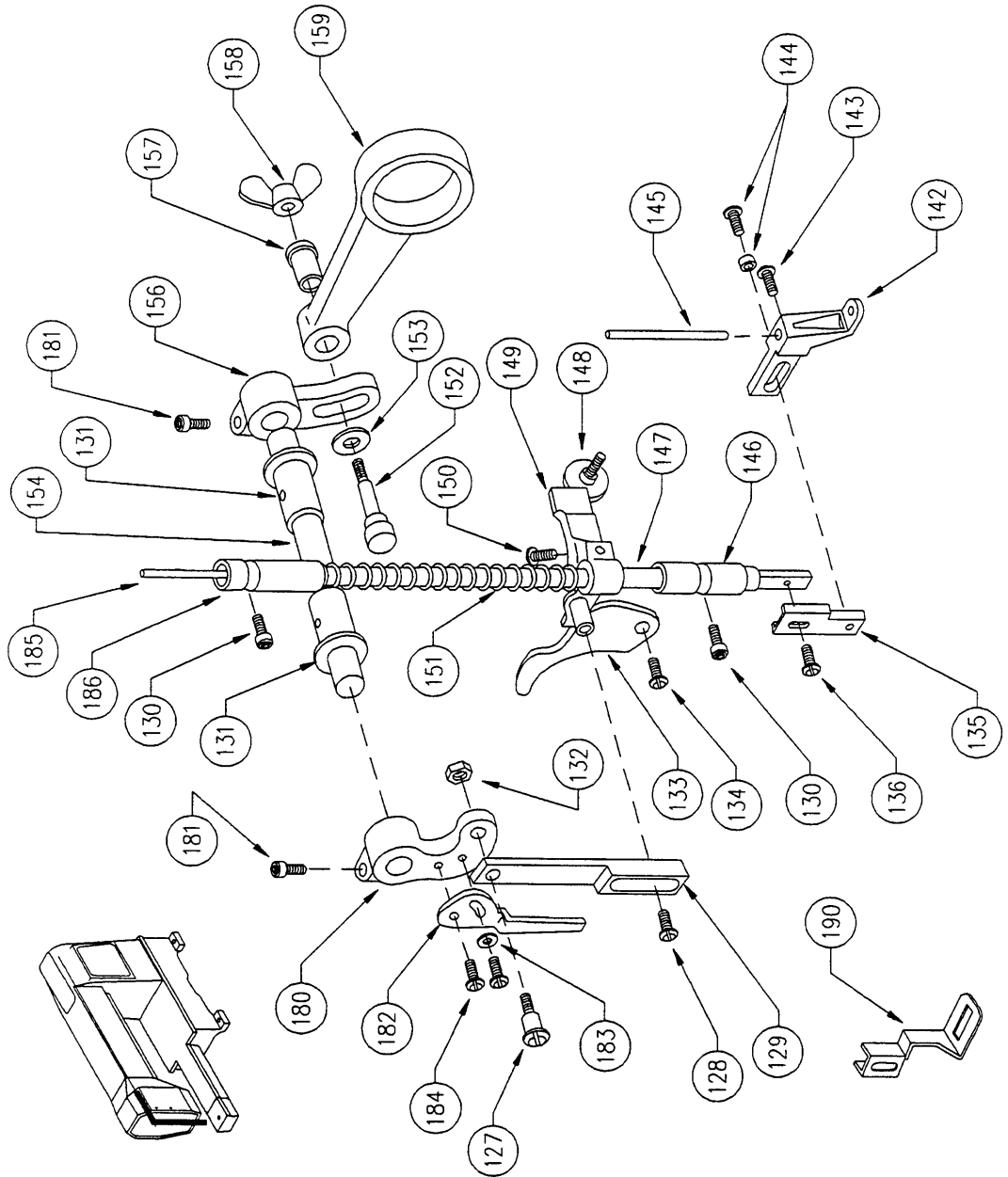
PARTS
IDENTIFICATION

SEWING HEAD PARTS - VIEW 4A



SEWING HEAD PARTS - VIEW 4A			
ITEM	PART NO.	DESCRIPTION	QTY.
127	P413539	7/32"-32 Stud Screw	1
128	P661237	3/16"-32 Cap Screw	1
129	P661234	Vibrating Eccentric Cam Rod	1
130	P661221	M6 X 8 Set Screw	2
131	P413260	Vibrating Eccentric Cam Shaft Bushing	2
132	P413249	Nut	1
133	P661222	Presser Bar Lift Lever	1
134	P661223	3/16"-32 Stud Screw	1
135	P661231	Vibrating Presser Foot Guide Bar Bracket	1
136	P413847	9/64"-40 X 8 Set Screw	1
142	P641503	Vibrating Presser Foot	1
143	P661229	1/8"-44 X 6 Set Screw	1
144	P661233	9/64"-40 Vibrating Presser Foot Stud Screw	1
145	P641501	Vibrating Pressed Foot Guide Bar (Jump Foot Rod)	1
146	P661220	Presser Bar Lower Bushing	1
147	P661217	Presser Bar	1
148	P661226	1/4"-24 Guide Screw	1
149	P661224	Presser Bar Bracket	1
150	P661225	11/64"-32 Set Screw	1
151	P661227	Presser Bar Spring	1
152	P661210	M5 Joint Screw	1
153	P661209	DB-7L Joint Washer	1
154	P413788	Vibrating Eccentric Cam Shaft	1
156	P661206	Vibrating Eccentric Cam Shaft Rear Adjustment Arm	1
157	P413474	Joint Bushing	1
158	P661211	M5 Joint Nut	1
159	P413472	Eccentric/Cam	1
180	P661212	Vibrating Eccentric Cam Shaft Front Adjustment Arm	1
181	P661207	M6 X 15 Set Screw	1
182	P661214	Reset Lever	2
183	P661216	M4 Washer	1
184	P661045	9/64"-40 X 8 Reset Lever Set Screw	2
185	P661218	3.5 X L150 Oil Wick	1

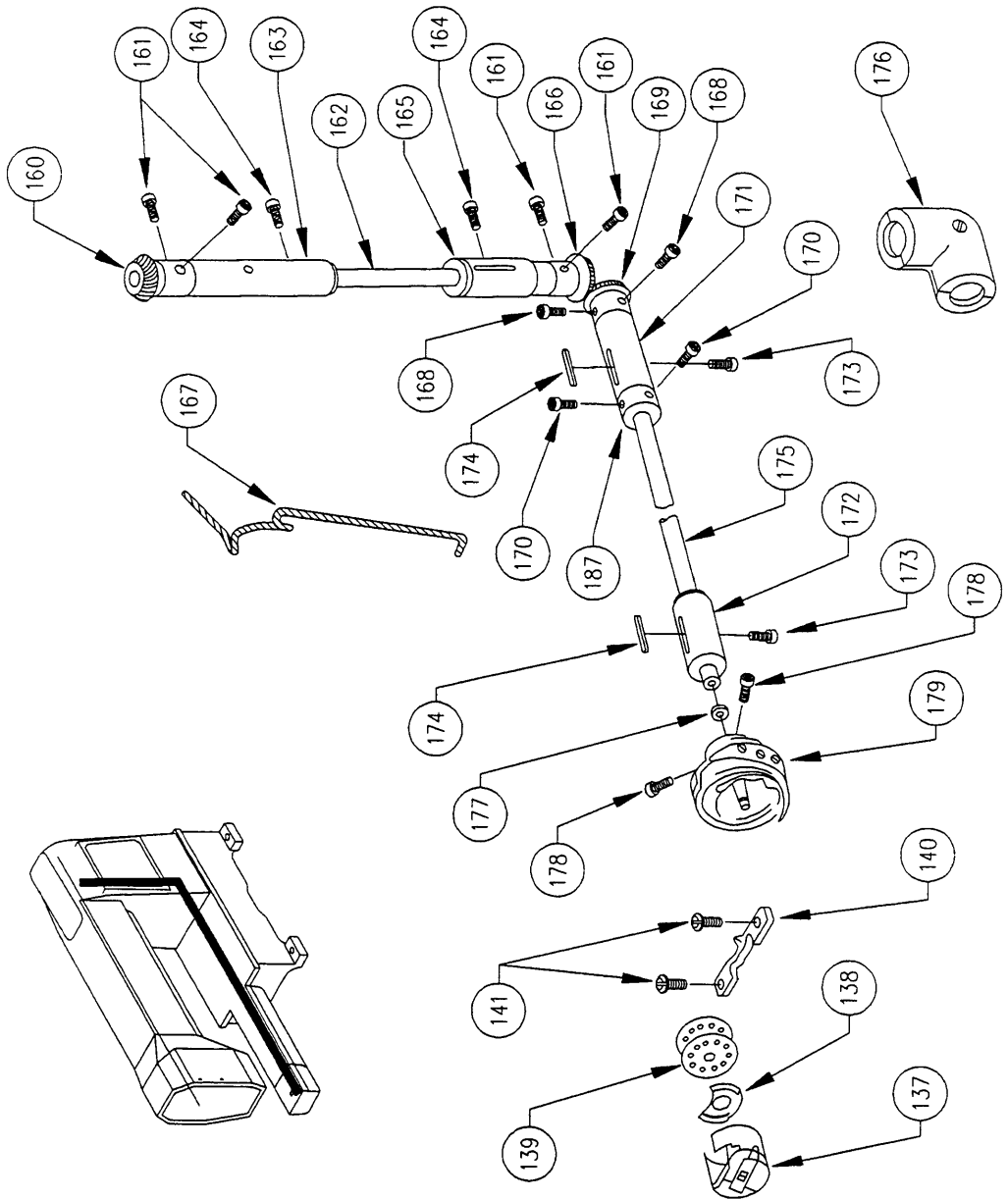
PARTS
IDENTIFICATION



SEWING HEAD PARTS - VIEW 4A			
ITEM	PART NO.	DESCRIPTION	QTY.
186	P413284	Presser Bar Upper Bushing	1
190	P661269	Large Presser Foot	1

PARTS
IDENTIFICATION

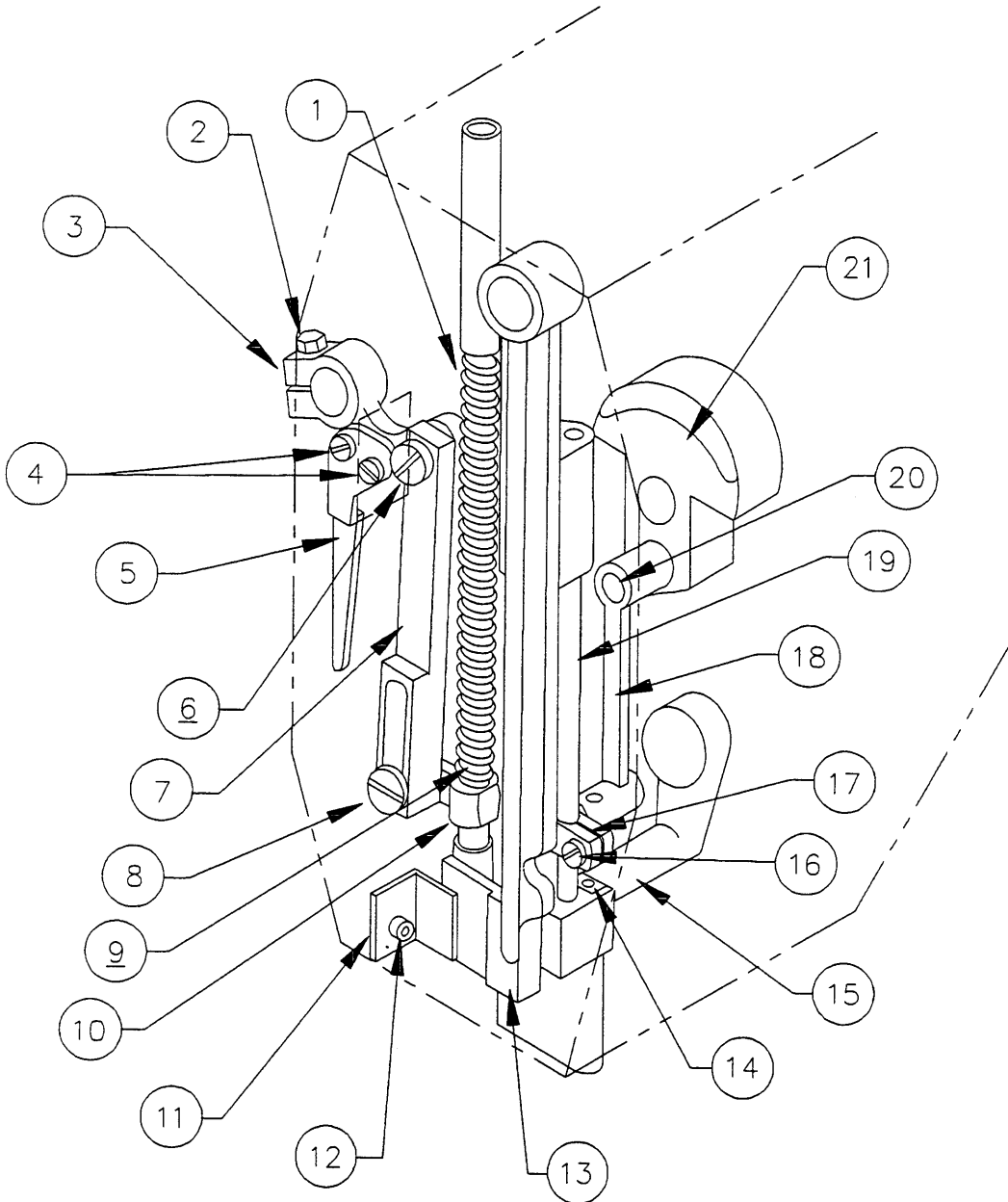
SEWING HEAD PARTS - VIEW 4B



SEWING HEAD PARTS - VIEW 4B			
ITEM	PART NO.	DESCRIPTION	QTY.
137	P413830	Bobbin Case Assembly	1
138	P661275	XL Overspring Protector	1
139	P413670	Bobbin	1
140	P661260	Hook Support Plate	1
141	P661035	9/64" - 40 X 8 Set Screw	2
160	P661243	Arm Shaft Upright Spiral Gear	1
161	P661244	1/4" - 40 X 5 Set Screw	4
162	P661238	Arm Shaft Upright	1
163	P413614	Upper Arm Shaft Upright Bushing	1
164	P661038	M6 X 6 Set Screw	2
165	P413615	Lower Arm Shaft Upright Bushing	1
166	P661245	Lower Arm Shaft Gear	1
167	P661108	3.5 X L160 Oil Wick	1
168	P661244	1/4" - 40 X 5 Set Screw	2
169	P661247	Lower Shaft Spiral Gear	1
170	P661256	1/4" - 40 X 4 Set Screw	2
171	P661252	Rear Hook Drive Shaft Bushing	1
172	P661251	Front Hook Drive Shaft Bushing	1
173	P661096	M6 X 10 Set Screw	2
174	P661253	Hook Drive Shaft Felt	2
175	P661250	Hook Drive Shaft	1
176	P661249	Lower Gear Cover Assembly	1
177	P661259	Rotating Hook Assembly Felt	1
178	P413827	Set Screw	2
179	P413820	Rotating Hook Assembly	1
187	P661255	Hook Drive Shaft Collar	1

PARTS
IDENTIFICATION

SEWING HEAD PARTS - FRONT VIEW



SEWING HEAD - FRONT VIEW			
ITEM	PART NO.	DESCRIPTION	QTY
1	P661227	Presser Bar Spring	1
2	P661207	M6 X 15 X 10 Socket Head Cap Screw	1
3	P661212	Eccentric Cam Link	1
4	P661045	9/64-40 Pan Head Screw	2
5	P661214	Trip Lever	1
6	P413539	Connecting Link Shoulder Screw	1
7	P661234	Presser Bar Lift Link	1
8	P661237	Lift Link Screw	1
9	P661217	Presser Bar	1
10	P661224	Presser Bar Guide Bill	1
11	P413308	Needle Bar Frame Position Bracket	1
12	P661141	M4 X 6 X 0.7 Socket Head Cap Screw	1
13	P642510	Needle Bar Frame	1
14	P413330	Needle Bar Frame Slide Block	1
15	P661150	Needle Bar Rock Frame Shaft	1
16	P413279	Screw	1
17	P413278	Needle Bar Connecting Stud	1
18	P413274	Needle Bar Connecting Link	1
19	P642501	Jump Foot Rod	1
20	P413269	Needle Bar Connecting Link Stud	1
21	P661103	Needle Bar Crank	1

PARTS
IDENTIFICATION

NOTES